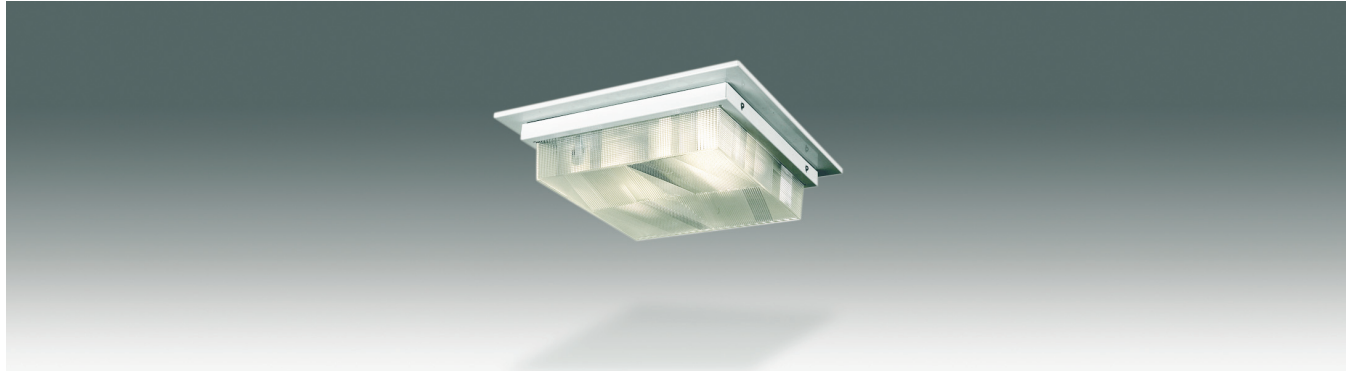


E-CF SERIES
COMPACT FLUORESCENT SURFACE MOUNT LUMINAIRE



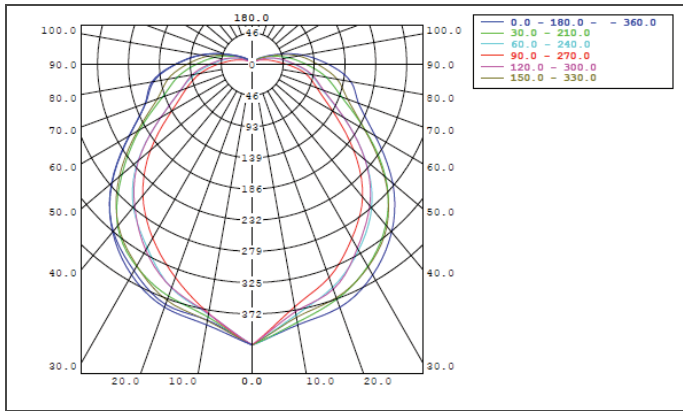
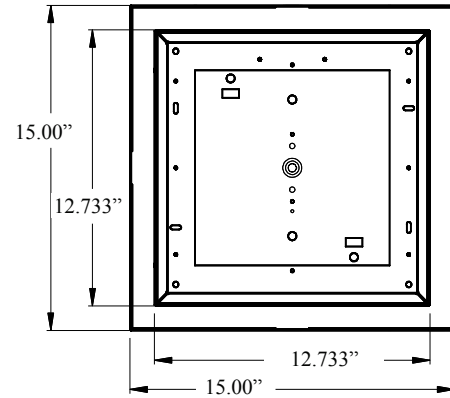
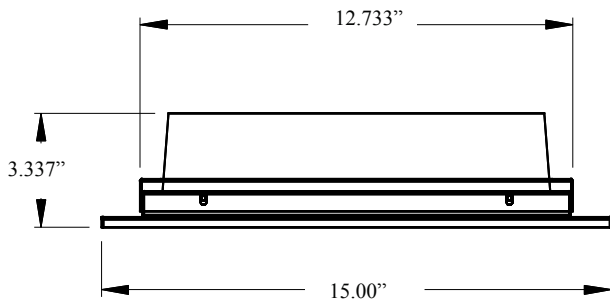
<p>Housing: 22GA steel. Finish: Post powdercoat gloss white. Construction: CNC formed and mechanically joined. Features: Tamperproof design. Vandal resistant. Lens: Acrylic or polycarbonate clear lens. Lamping: 841k lamps are included.</p>			<p>Mounting: Surface mounted. Retrofit over existing recessed incandescent or electrical boxes. Special adapter plate for 3/0 or 4/0 box available. Raised conduit access housing available. Distribution: Wide distribution spreads light for low ceiling heights. Electrical: Electronic Program Start is factory standard; <10% THD; Inherent thermal protection. Labels: UL/CUL listed. Damp Location.</p>		
SPEC.	NOM.	DESCRIPTION	SPEC.	NOM.	DESCRIPTION
Finish	---	Powdercoat gloss white - no designation needed. Please specify other color on PO if required.	Lens	AC	Prismatic Acrylic Lens
Dimension	11	Nominal 15" x 15" square		PC	Prismatic Polycarbonate Lens – designed for severe impact and vandal resistance
Lamping	1 2	T4 = 13W, 26W or 32W per lamp 841k lamps included unless otherwise specified. (1) CF lamping (2) CF lamping	Voltage	U	Universal volt 120-277 (factory standard)
Ballast	E13	Electronic 13watt CF Ballast	Mounting	---	Surface Mounted - no designation needed
	E26	Electronic 26watt CF Ballast		A	Adapter Plate for 3/0 or 4/0 mounting box
	E32	Electronic 32watt CF Ballast	R	Raised Conduit Access Housing – adds 1.5" to height	
			Options	P	Button Photocell Sensor

ORDERING NOMENCLATURE GUIDE

Standard Fixture: E-CF112E13ACU
 Catalog # for a CF Type Fixture – Powdercoated Gloss White - Nominal 15" x 15" - 2 Lamps (Lamps are Included) - Standard 13W CF Electronic Ballast - Acrylic Lens - Universal Voltage - Standard Surface Mount.

8E Product	Series	Finish	Dimension	Lamping	Ballast	Lens	Voltage	Mounting	Options
E -	CF								

E-CF SERIES
COMPACT FLUORESCENT SURFACE MOUNT LUMINAIRE



PRODUCT NUMBER = E-CF112E13ACU
FIXTURE EFFICIENCY = 88.6%
S.M.H. = 1.22
WATTAGE = 32W (BASED ON 277V)
RCR TABLE AVAILABLE
IES PHOTOMETRIC FILE AVAILABLE

SPECIFICATION CHARACTERISTICS

- Utilizing Energy Efficient Components Throughout
- Wide Distribution Spreads Light for Low Ceiling Heights
- Highly Efficient Luminaire – Over 88%
- Torx Tamperproof Hardware for Vandal Resistance
- Main Body Tethered to Mounting Bracket for Serviceability
- Easy Ballast Access through Mounting Plate provides Quick Maintenance
- Meets Requirements for Access to Junction Box
- Instant On, Long Life, Lower Energy Consumption, No Color Shift
- Button Photocell Option
- Uniform Illumination
- Standard Surface Mount; Special Adapter Plate for 3/0 or 4/0 Box; or Raised Conduit Access Housing
- Multiple Lens Options: Acrylic or Polycarbonate Lens
- Finish: Gloss White Post Powdercoated. Other finishes available. Please contact factory.
- Short Lead Times