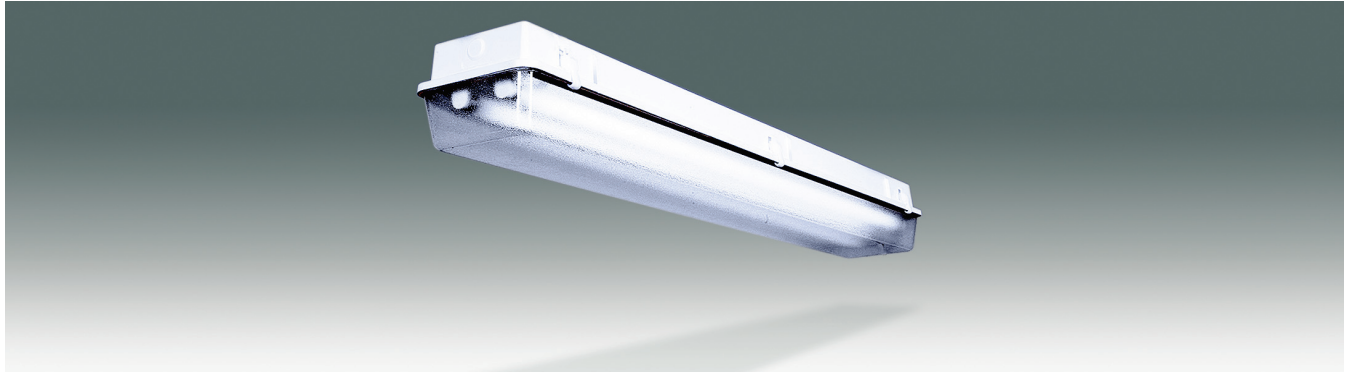


**E-IVP SERIES**  
**T8 or T5 INDUSTRIAL VAPORPROOF LUMINAIRE**

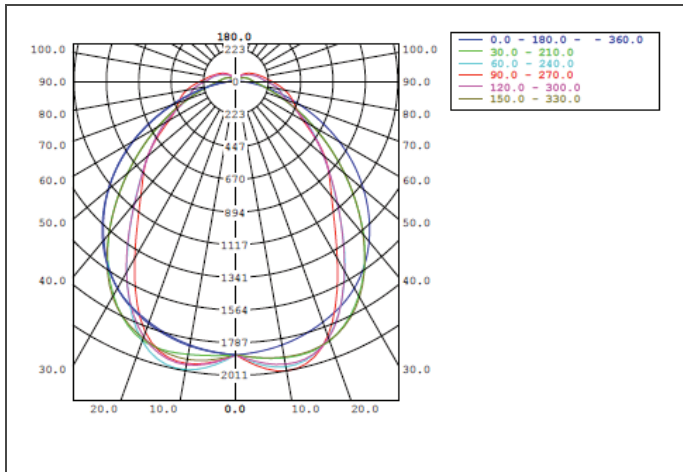
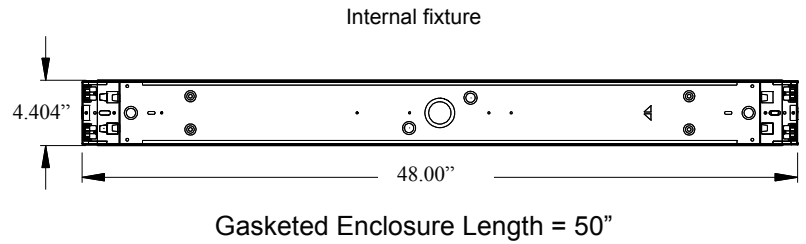
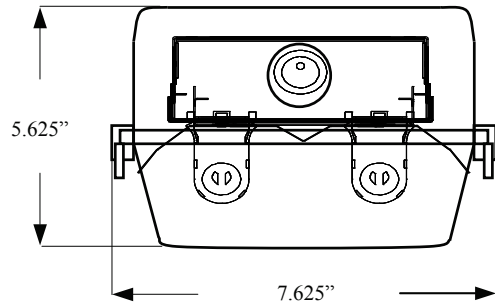


<p><b>External Housing: Gasketed fiberglass housing.</b>  <b>Internal Strip Fixture Finish: 22GA steel.</b>  <b>Construction: CNC formed and mechanically joined.</b>  <b>Lens: High impact resistant acrylic crepe pattern lens.</b></p>			<p><b>Mounting: Surface mounted.</b>  <b>Distribution: Wide.</b>  <b>Electrical: Electronic Low, Standard or High output options; Instant Start is factory standard for T8, Program Start for T5; &lt;10% THD; Inherent thermal protection; Dimming &amp; Emergency available.</b>  <b>Labels: UL/CUL listed. Wet Location. Sealed and Gasketed.</b></p>		
SPEC.	NOM.	DESCRIPTION	SPEC.	NOM.	DESCRIPTION
Finish	---	Baked white enamel – no designation needed	Lens	---	Vaporproof housing and lens (standard) - no designation needed
Dimension	12 14 18	Nominal 8" wide x 26" long Nominal 8" wide x 50" long Nominal 8" wide x 98" long	Voltage	U H 1 2 3 4 1B 2B	Universal volt 120-277 (factory standard) 347-480 volt 120 volt (specify with LED or dimming) 277 volt (specify with LED or dimming) 347 volt (specify with LED or dimming) 480 volt (specify with LED or dimming) Emergency Battery Back-up 120v Emergency Battery Back-up 277v (T8 = 500 lumens factory standard) (T5 std = 500 lumens or T5HO = 825 lumens)
Lamping	1 2 3 4 6 L	<b>T8 = 32W, 17W per lamp</b> <b>T5 = 54W, 21W or 28W, 14W per lamp</b> <b>Lamps are not included unless otherwise noted</b> (1) lamp in cross section (2,4ft) (2) lamps in cross section (2,4ft); 1 in cross (8ft) (3) lamps in cross section (2,4ft); 1&2 in cross (8ft) (4) lamps - 2 in cross (8ft) (6) lamps - 3 in cross (8ft) LED – contact factory & specify voltage		Reflector	E W
Ballast	S L H D P SP HP	<b>T8</b> Standard Electronic T8 Low Output Electronic T8 High Output Electronic T8 Electronic Dimming T8 – specify type & voltage Program Start Electronic T8 Standard Output/Program Start Combination T8 High Output/Program Start Combination T8	Mounting	---	Surface Mounted (standard) - no designation needed
	S5 H5 DS DH LED LDD	<b>T5</b> Standard Electronic T5 28W High Output Electronic T5 54W Dimming Standard Electronic T5 28W – specify type & voltage Dimming High Output Electronic T5 54W – specify type & voltage <b>LED</b> LED Transformer – contact factory LED Dimming Transformer – contact factory		Options	O D R M

**ORDERING NOMENCLATURE GUIDE**

<b>Standard Fixture: E-IVP142SUE</b>										
Catalog # for an IVP Type Fixture – Baked White Enamel Industrial Internal Fixture - Nominal 1 ft x 4 ft Long - 2 Lamps in cross section - Standard T8 Electronic Ballast - Vaporproof Housing and Lens - Universal Voltage - Enhanced Reflector - Standard Surface Mount - No Options.										
8E Product	Series	Finish	Dimension	Lamping	Ballast	Lens	Voltage	Reflector	Mounting	Options
<b>E -</b>	<b>IVP</b>									

**E-IVP SERIES**  
**T8 or T5 INDUSTRIAL VAPORPROOF LUMINAIRE**



**PRODUCT NUMBER = E-IVP142SUE**

**FIXTURE EFFICIENCY = 89.7%**

**S.M.H. = 1.22**

**WATTAGE = 52W (BASED ON 277V)**

**RCR TABLE AVAILABLE**

**IES PHOTOMETRIC FILE AVAILABLE**

**SPECIFICATION CHARACTERISTICS**

- **Wide Distribution Utilizing Energy Efficient Components Throughout**
- **Highly Efficient Luminaire – Over 89%**
- **Instant On, Long Life, Lower Energy Consumption, No Color Shift**
- **T5 Application = 36,000 Hours (based on 12 hour starts)**
- **Uniform Illumination**
- **LED is Available – Contact Factory with Requirements**
- **Dimming, Emergency, Occupancy Sensor and Daylighting Sensor Options**
- **High Impact Acrylic Lens with Internal Crepe Pattern and Smooth Exterior for Ease of Cleaning**
- **Structurally Rigid Fiberglass Housing · Self-Extinguishing · Gasketed with Continuous Seal**
- **Housing and Lens Securely Locked in Place with Retaining Latches Assuring Tight Seal**
- **Stainless Steel Mounting Brackets and Latches Available - Vandal Resistant Latches also Available**
- **Short Lead Times**