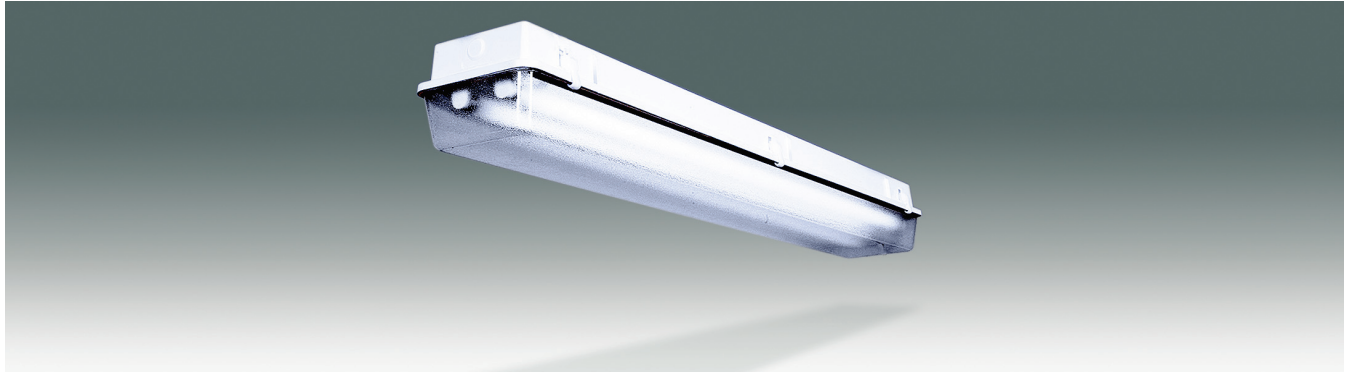


E-IVPG SERIES
T8 or T5 INDUSTRIAL "PARKING GARAGE" STYLE VAPORPROOF LUMINAIRE



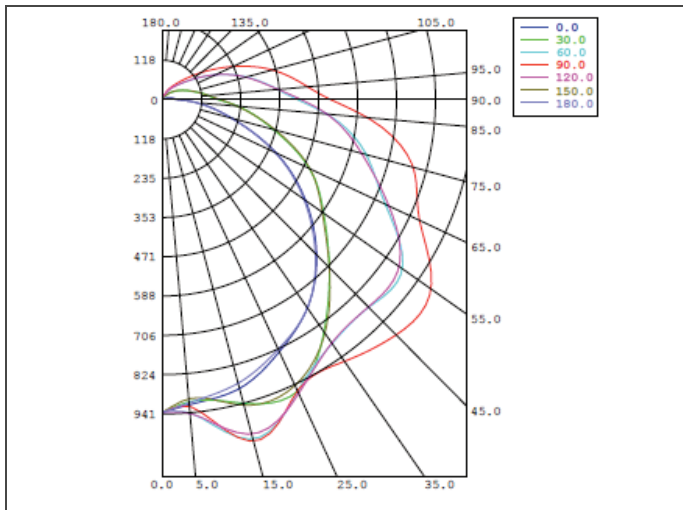
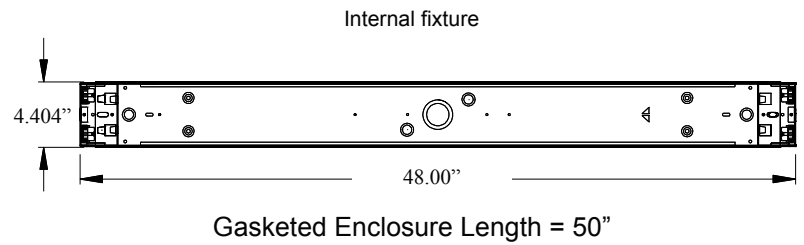
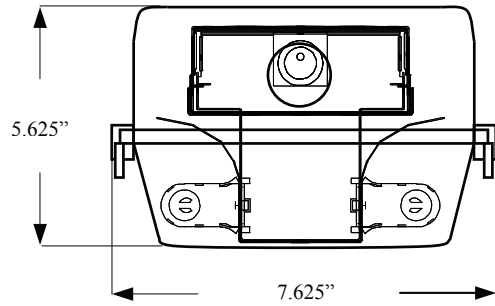
<p>External Housing: Gasketed fiberglass housing. Internal Strip Fixture Finish: 22GA steel. Construction: CNC formed and mechanically joined. Lens: High impact resistant acrylic crepe pattern lens.</p>			<p>Mounting: Surface mounted. Distribution: Wide. Electrical: Electronic Low, Standard or High output options; Instant Start is factory standard for T8, Program Start for T5; <10% THD; Inherent thermal protection; Dimming & Emergency available. Labels: UL/CUL listed. Wet Location. Sealed and Gasketed.</p>		
SPEC.	NOM.	DESCRIPTION	SPEC.	NOM.	DESCRIPTION
Finish	---	Baked white enamel – no designation needed	Lens	---	Vaporproof housing and lens (standard) - no designation needed
Dimension	12 14 18	Nominal 8" wide x 26" long Nominal 8" wide x 50" long Nominal 8" wide x 98" long	Voltage	U H 1 2 3 4 1B 2B	Universal volt 120-277 (factory standard) 347-480 volt 120 volt (specify with LED or dimming) 277 volt (specify with LED or dimming) 347 volt (specify with LED or dimming) 480 volt (specify with LED or dimming) Emergency Battery Back-up 120v Emergency Battery Back-up 277v (T8 = 500 lumens factory standard) (T5 std = 500 lumens or T5HO = 825 lumens)
Lamping	2 4 L	T8 = 32W, 17W per lamp T5 = 54W, 21W or 28W, 14W per lamp Lamps are not included unless otherwise noted (2) lamps in cross section (2,4ft) (4) lamps - 2 in cross section (8ft) LED – contact factory & specify voltage	Reflector	E W	Wide distribution for garage applications Enhanced Aluminum 95% reflective White Aluminum 90%+ reflective
Ballast	S L H D P SP HP	T8 Standard Electronic T8 Low Output Electronic T8 High Output Electronic T8 Electronic Dimming T8 – specify type & voltage Program Start Electronic T8 Standard Output/Program Start Combination T8 High Output/Program Start Combination T8	Mounting	--- SB SL SV	Surface Mounted (standard) - no designation needed Stainless Steel Mounting Brackets Stainless Steel Latches Stainless Steel + Vandal Resistant Latches
	S5 H5 DS DH LED LDD	T5 Standard Electronic T5 28W High Output Electronic T5 54W Dimming Standard Electronic T5 28W – specify type & voltage Dimming High Output Electronic T5 54W – specify type & voltage LED LED Transformer – contact factory LED Dimming Transformer – contact factory	Options	O D R M	360° degree occupancy sensor 360° degree occupancy sensor with daylighting control Relay Multi-circuit wiring

ORDERING NOMENCLATURE GUIDE

Standard Fixture: E-IVPG142SUE
Catalog # for an IVPG Type Fixture – Baked White Enamel Industrial Internal Fixture - Nominal 1 ft x 4 ft Long - 2 Lamps in cross section - Standard T8 Electronic Ballast - Vaporproof Housing and Lens - Universal Voltage - Enhanced Garage Style Reflector - Standard Surface Mount - No Options.

8E Product	Series	Finish	Dimension	Lamping	Ballast	Lens	Voltage	Reflector	Mounting	Options
E -	IVPG									

E-IVPG SERIES
T8 or T5 INDUSTRIAL “PARKING GARAGE” STYLE VAPORPROOF LUMINAIRE



PRODUCT NUMBER = E-IVPG142SUE
FIXTURE EFFICIENCY = 80.8%
S.M.H. = 1.58
WATTAGE = 52W (BASED ON 277V)
RCR TABLE AVAILABLE
IES PHOTOMETRIC FILE AVAILABLE

SPECIFICATION CHARACTERISTICS

- **Wide Distribution Utilizing Energy Efficient Components Throughout**
- **Highly Efficient Luminaire – Over 80%**
- **Instant On, Long Life, Lower Energy Consumption, No Color Shift**
- **T5 Application = 36,000 Hours (based on 12 hour starts)**
- **Uniform Illumination**
- **LED is Available – Contact Factory with Requirements**
- **Dimming, Emergency, Occupancy Sensor and Daylighting Sensor Options**
- **High Impact Acrylic Lens with Internal Crepe Pattern and Smooth Exterior for Ease of Cleaning**
- **Structurally Rigid Fiberglass Housing · Self-Extinguishing · Gasketed with Continuous Seal**
- **Housing and Lens Securely Locked in Place with Retaining Latches Assuring Tight Seal**
- **Stainless Steel Mounting Brackets and Latches Available - Vandal Resistant Latches also Available**
- **Short Lead Times**