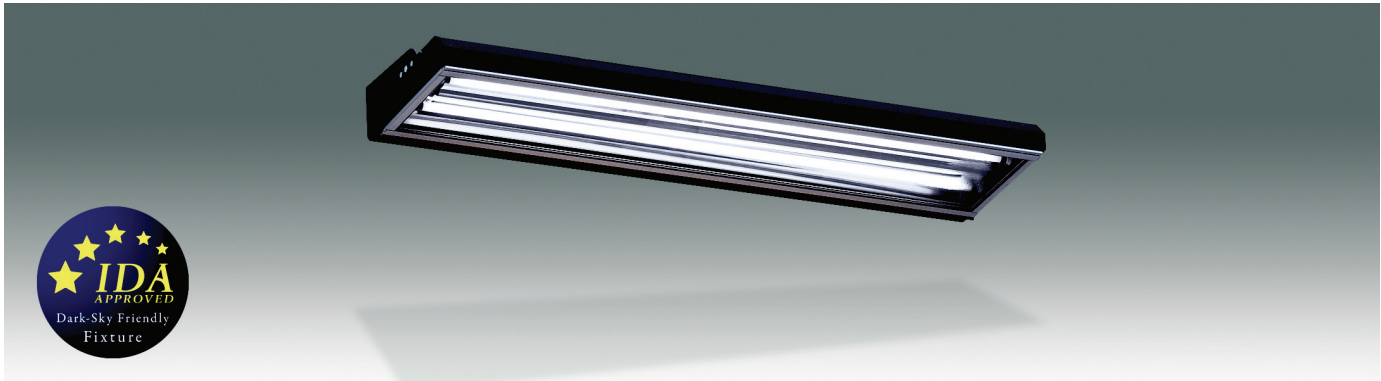


<b>Project:</b>
<b>Type:</b>
<b>Quantity:</b>

**E-XW SERIES**  
**EXTERIOR WALL MOUNT – ALUMINUM or STAINLESS STEEL – T5 LUMINAIRE**



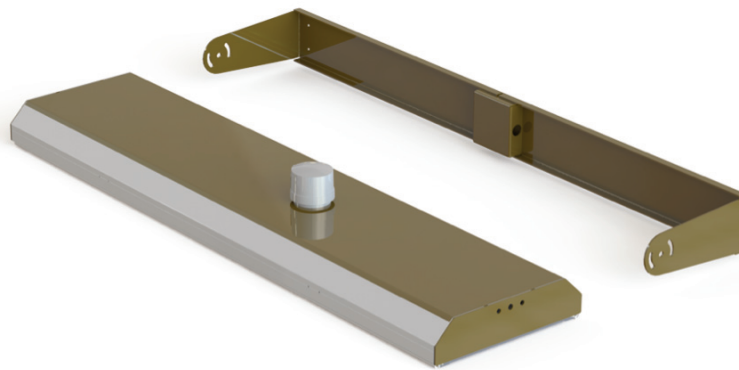
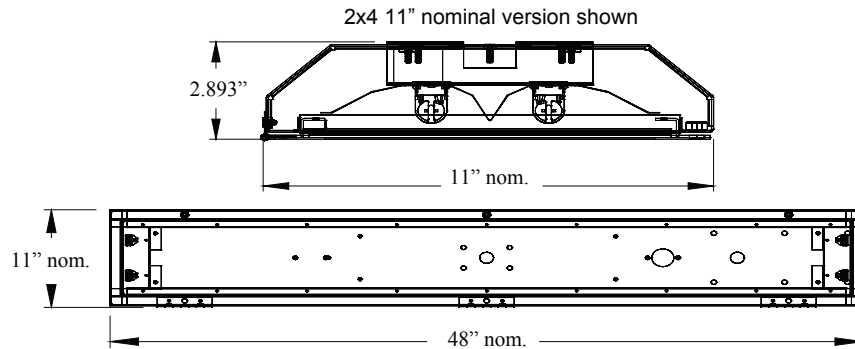
<p><b>Housing:</b> .060 aluminum or 22GA stainless steel.  <b>Finish:</b> Post powdercoat bronze aluminum or smooth satin stainless steel.  <b>Construction:</b> CNC formed and TIG welded seams.  <b>Lens:</b> ¼" thick tempered glass, polycarbonate or acrylic with welded/gasketed door.  <b>Lamping:</b> Factory installation of lamps is standard. Specify CRI color or specific lamp manufacturer on PO if required.</p>			<p><b>Mounting:</b> Wall mounted. Includes adjustable mounting bracket.  <b>Distribution:</b> Narrow to medium. Replacement for low or high-pressure sodium. <i>"International Dark Sky Association Approved"</i>.  <b>Electrical:</b> Electronic Standard or High output options; Program Start Ballast is factory standard; &lt;10% THD; Inherent thermal protection.  <b>UL/CUL Listed. Wet Location. Sealed and Gasketed.</b></p>		
SPEC.	NOM.	DESCRIPTION	SPEC.	NOM.	DESCRIPTION
Housing/ Finish	A	.060 Aluminum Sheet Metal housing - powdercoat <b>bronze</b> is standard. Specify other color on PO if required.	Lens	G	Tempered Glass Lens ¼" thick Clear Polycarbonate Lens ¼" thick Clear Acrylic Lens ¼" thick
	Z	Satin Stainless Steel 300 series 22GA		P	
Dimension	12	Nominal 11" x 24" long (2 or 3 lamps) Nominal 11" x 48" long (2 or 3 lamps) Nominal 13" x 24" long (3, 4, 5 or 6 lamps) Nominal 13" x 48" long (3, 4, 5 or 6 lamps)		Voltage	
	14		H		
	22		1		
	24		2		
Lamping	2	<b>T5 = 54W, 24W or 28W, 14W per lamp</b> <b>Lamps are included in price &amp; factory installed unless otherwise specified.</b> (2) lamps in cross section (11" wide housing) (3) lamps in cross section (11" or 13" wide housing) (4) lamps in cross section (13" wide housing) (5) lamps in cross section (13" wide housing) (6) lamps in cross section (13" wide housing) LED – contact factory & specify voltage	Reflector	E	Enhanced Aluminum 95% reflective White Aluminum 90%+ reflective
	3				
	4		Options	P	Photocell Shunting Cap
	5				
	6				
	L				
Ballast	S5	<b>All T5 ballasts are 90°C</b> Standard Electronic T5 28W High Output Electronic T5 54W  <b>LED</b> LED Transformer – contact factory LED Dimming Transformer – contact factory	C		
	H5				
	LED				

**ORDERING NOMENCLATURE GUIDE**

**Standard Fixture: E-XWA142H5GUEP**  
 Catalog # for a XW Type Fixture – .060 Aluminum Housing Powdercoated Bronze - Nominal 1 ft x 4 ft Long, 11" Wide Housing - 2 Lamps in Cross Section - High Output T5 Electronic Ballast - Tempered Glass Lens - Universal Voltage - Enhanced Reflector – Photocell.

8E Product	Series	Housing	Dimension	Lamping	Ballast	Lens	Voltage	Reflector	Options
<b>E -</b>	<b>XW</b>								

**E-XW SERIES**  
**EXTERIOR WALL MOUNT – ALUMINUM or STAINLESS STEEL – T5 LUMINAIRE**



**SPECIFICATION CHARACTERISTICS**

- **Narrow or Medium Distribution Utilizing Energy Efficient Components Throughout**
- **Highly Efficient Luminaire – Contact Factory for IES Files**
- **Replaces Low Pressure Sodium, High Pressure Sodium and HID Wall Mounted Fixtures**
- **T5 Application = 36,000 Hours (based on 12 hour starts), Lower Energy Consumption, 106W, No Color Shift, 85+ CRI Full Spectrum Color, Instant-On, Programmed Rapid Start Ballasts are Standard**
- **-20° Starting; Enhanced Cold Weather Performance Using the Amalgam Technology T5HO Lamp**
- **LED is Available – Contact Factory with Requirements**
- ***\*International Dark Sky Association Approved\** with 90° Cut-Off**
- **Photocell Sensor Option**
- **Finish: Post Powdercoated Bronze Aluminum Housing. Other Finishes Available. Please Contact Factory. Stainless Steel Housing has Smooth Satin Surface.**
- **Multiple Lens Options: ¼" Thick Tempered Glass for Durability & Long Life; or Polycarbonate or Acrylic Lens**
- **Retrofits Over Existing Wall-Mounted Box; Mount to Wall Via any NEC Approved Method**
- **Mount Bracket has Four 5/16" Mounting Holes with a 7/8" Hole Provided for Power to J-Box**
- **Brackets Included Provide Fully Adjustable Mounting for Precise Aiming**
- **Lamps are Included; Factory Installation of Lamps is Standard - Specify CRI on PO, lamps show separate on sales order but will be installed**
- **Short Lead Times**