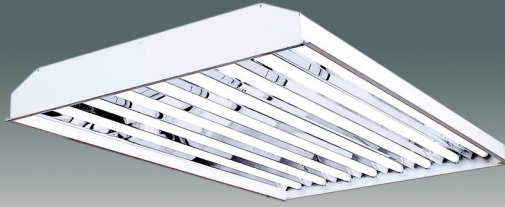


E-EH8 SERIES
T8 ECONOMY HIGH BAY LUMINAIRE - 30" WIDE

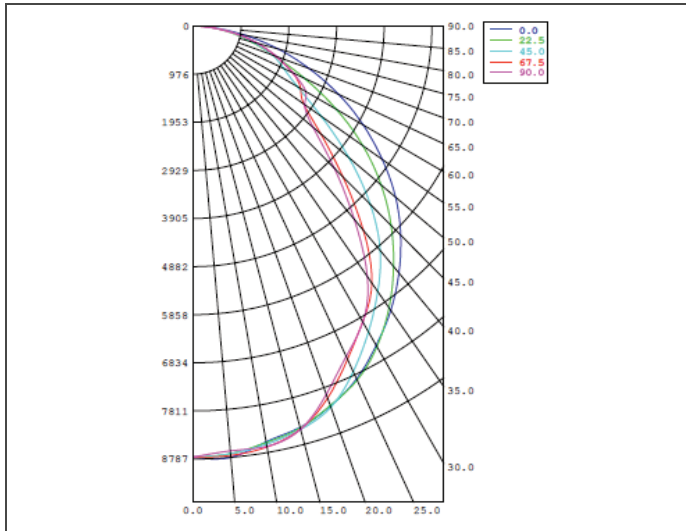
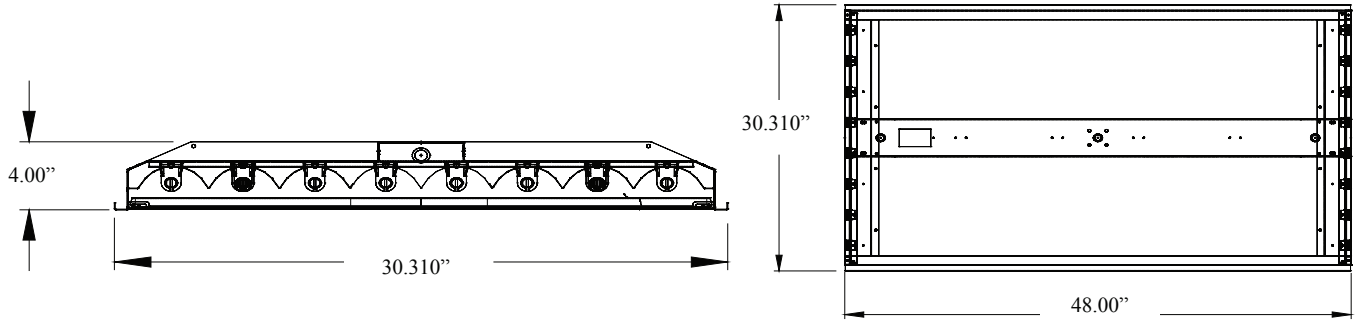


<p>Housing: 22GA steel. Finish: Baked white enamel, galvanized or post powdercoat steel. Construction: CNC formed and mechanically joined. Options: 11GA wireguard, prismatic or clear lens.</p>			<p>Mounting: Suspended or surface mounted. Distribution: Narrow to medium. Replacement for HID high bay. Electrical: Electronic Low, Standard or High output options; Instant Start is factory standard; <10% THD; Inherent thermal protection; Dimming & Emergency available. Labels: UL/CUL listed. Damp Location.</p>		
SPEC.	NOM.	DESCRIPTION	SPEC.	NOM.	DESCRIPTION
Finish	P	Powdercoat gloss white	Lens	---	Open - no designation needed
	G	Galvanized		WG	11 Gauge galvanized wireguard
W	Baked white enamel	AC		Clear acrylic lens .090" thick	
				PR	A12 prismatic acrylic .110" thick
Dimension	34	Nominal 30" wide x 48" long	Voltage	U	Universal volt 120-277 (factory standard)
				H	347-480 volt
1	120 volt (specify with LED or dimming)				
2	277 volt (specify with LED or dimming)				
3	347 volt (specify with LED or dimming)				
4	480 volt (specify with LED or dimming)				
Lamping	8	<p>T8 = 32W per lamp Lamps are not included unless otherwise noted (8) lamps in cross section LED – contact factory & specify voltage</p>	Reflector	E	Enhanced Aluminum 95% reflective
				W	White Aluminum 90%+ reflective
Ballast	S L H D P SP HP	<p align="center">T8</p> <p>Standard Electronic T8 Low Output Electronic T8 High Output Electronic T8 Electronic Dimming T8 - specify type & voltage Program Start Electronic T8 Standard Output/Program Start Combination T8 High Output/Program Start Combination T8</p>	Mounting	---	Surface Mounted (standard) - no designation needed
				---	Chain Suspended (by others) - no designation needed
				SP	2.5" Single Point Box (stem mount)
				Y	8ft Powercord, black 18/3 wire Y-fit Gripple® Toggle 6" Y x 8' long Shows as separate line item on order: part# H-Y6"HNGR-10'
LED	LED Transformer – contact factory	Options	O	360° degree occupancy sensor	
LDD	LED Dimming Transformer – contact factory		A	Aisle occupancy sensor	
			R	Relay	
			M	Multi-circuit wiring	

ORDERING NOMENCLATURE GUIDE

Standard Fixture: E-EH8W348HUE										
Catalog # for a EH8 Type Fixture – Baked White Enamel - Nominal 3 ft x 4 ft Long - 8 Lamps in cross section - High Output T8 Electronic Ballast - Open/No Lens - Universal Voltage - Enhanced Reflector - Standard Surface Mount - No Options.										
8E Product	Series	Finish	Dimension	Lamping	Ballast	Lens	Voltage	Reflector	Mounting	Options
E -	EH8									

**E-EH8 SERIES
T8 ECONOMY HIGH BAY LUMINAIRE - 30" WIDE**



PRODUCT NUMBER = E-EH8W348HUE
FIXTURE EFFICIENCY = 92.6%
S.M.H. = 1.18
WATTAGE = 282W (BASED ON 277V)
RCR TABLE AVAILABLE
IES PHOTOMETRIC FILE AVAILABLE

SPECIFICATION CHARACTERISTICS

- **Narrow to Medium Distribution Utilizing Energy Efficient Components Throughout**
- **Highly Efficient Luminaire – Over 92%**
- **Replaces 400 Watt – 750 Watt HID High Bay**
- **Instant On, Long Life, Lower Energy Consumption, No Color Shift**
- **Uniform Illumination**
- **LED is Available – Contact Factory with Requirements**
- **Vented for Optimum Lamp Performance**
- **Quick-Wire Access Plate**
- **Dimming, Emergency, Occupancy Sensor or Light Level Sensor Options**
- **Multiple Mounting Options: Surface Mount, Chain or Gripple Ready, Single Point Mounting Box or Cord**
- **Multiple Lens Options: Wire Guard, Prismatic, Clear Acrylic, or Clear Polycarbonate Lens**
- **Multiple Finish Options: Gloss White Post Powdercoated, Galvanized or Baked White Enamel Steel**
- **Short Lead Times**