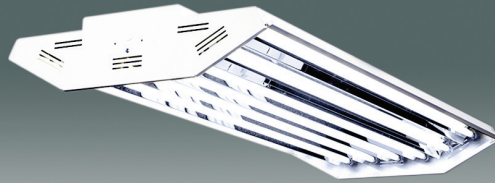


**E-LBA SERIES
T5 LOW BAY LUMINAIRE - 26" WIDE**

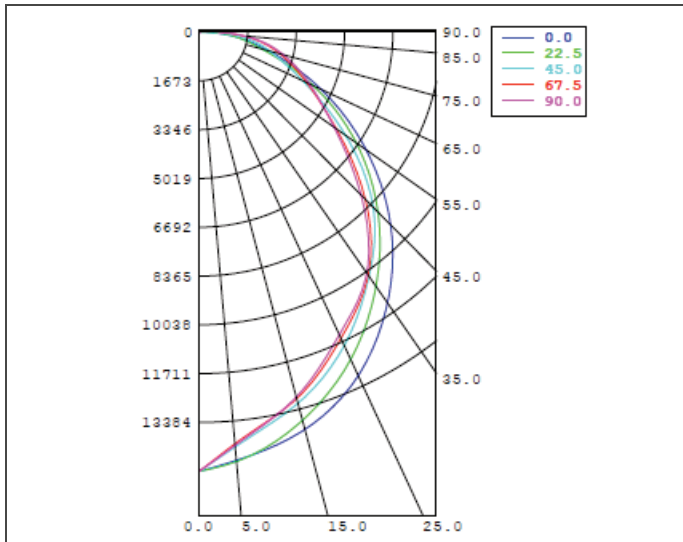
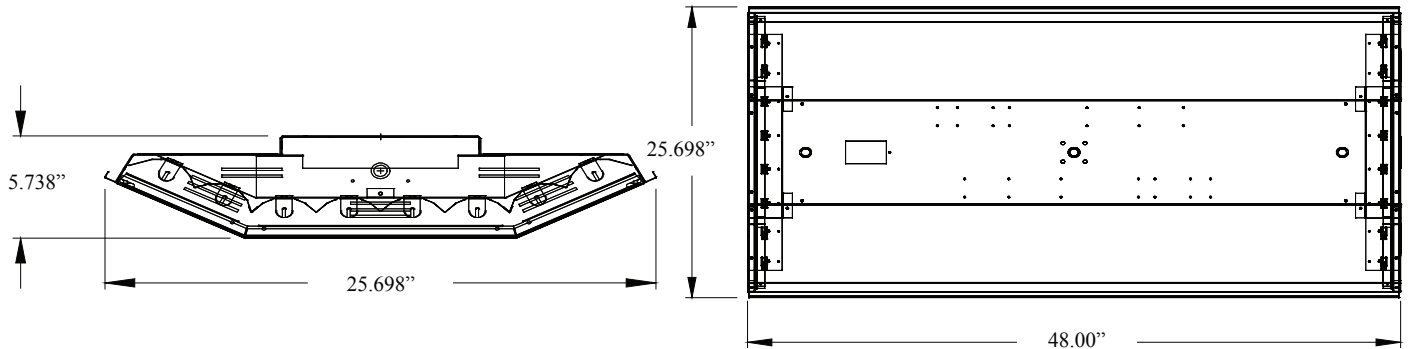


<p>Housing: 22GA steel. Finish: Baked white enamel, galvanized or post powdercoat steel. Construction: CNC formed and mechanically joined. Options: 11GA wireguard, prismatic or clear lens.</p>			<p>Mounting: Suspended or surface mounted. Distribution: Medium to wide. Replacement for HID low bay. Electrical: Electronic Standard or High output options; Program Start Ballast is factory standard; <10% THD; Inherent thermal protection; Dimming & Emergency available. Labels: UL/CUL listed. Damp Location</p>				
SPEC.	NOM.	DESCRIPTION	SPEC.	NOM.	DESCRIPTION		
Finish	P	Powdercoat gloss white	Lens	---	Open - no designation needed		
	G	Galvanized		WG	11 Gauge galvanized wireguard		
W	Baked white enamel	AC		Clear acrylic lens .090" thick			
Dimension	34	Nominal 26" wide x 48" long		PR	A12 prismatic acrylic .110" thick		
				PC	Clear polycarbonate lens .090" thick		
			Voltage	U	Universal volt 120-277 (factory standard)		
H	347-480 volt						
1	120 volt (specify with LED or dimming)						
2	277 volt (specify with LED or dimming)						
3	347 volt (specify with LED or dimming)						
Lamping	8	<p>T5 = 54W or 28W per lamp Lamps are not included unless otherwise noted (8) lamps in cross section LED – contact factory & specify voltage</p>	4	480 volt (specify with LED or dimming)			
			1B	Emergency Battery Back-up 120v			
			2B	Emergency Battery Back-up 277v (T5 std = 500 lumens or T5HO = 825 lumens)			
Ballast	S5 H5 DS DH	<p>T5 Standard Electronic T5 28W High Output Electronic T5 54W Dimming Standard Electronic T5 28W – specify type & voltage Dimming High Output Electronic T5 54W – specify type & voltage</p>	Reflector	E	Enhanced Aluminum 95% reflective		
				W	White Aluminum 90%+ reflective		
			LED LDD	<p>LED LED Transformer – contact factory LED Dimming Transformer – contact factory</p>	Mounting	---	Surface Mounted (standard) - no designation needed
						SP	Chain Suspended (by others) - no designation needed
				C	2.5" Single Point Box (stem mount)		
			Y	8ft Powercord, black 18/3 wire Y-fit Gripple® Toggle 12" Y x 8' long Shows as separate line item on order: part# H-Y12"HNGR-10'			
			Options	O	360° degree occupancy sensor		
				A	Aisle occupancy sensor		
				R	Relay		
				M	Multi-circuit wiring		

ORDERING NOMENCLATURE GUIDE

Standard Fixture: E-LBAW348H5UE										
Catalog # for a LBA Type Fixture – Baked White Enamel - Nominal 3 ft x 4 ft Long - 8 Lamps in cross section - High Output T5 Electronic Ballast - Open/No Lens - Universal Voltage - Enhanced Reflector - Standard Surface Mount - No Options.										
8E Product	Series	Finish	Dimension	Lamping	Ballast	Lens	Voltage	Reflector	Mounting	Options
E -	LBA									

**E-LBA SERIES
T5 LOW BAY LUMINAIRE - 26" WIDE**



PRODUCT NUMBER = E-LBAW348H5UE
FIXTURE EFFICIENCY = 91.3%
S.M.H. = 1.28
WATTAGE = 468W (BASED ON 277V)
RCR TABLE AVAILABLE
IES PHOTOMETRIC FILE AVAILABLE

SPECIFICATION CHARACTERISTICS

- **Medium to Wide Distribution Utilizing Energy Efficient Components Throughout**
- **Highly Efficient Luminaire – Over 91%**
- **Replaces 750 - 1000 Watt HID Low Bay**
- **Instant On, Long Life, Lower Energy Consumption, No Color Shift**
- **T5 Application = 36,000 Hours (based on 12 hour starts)**
- **Uniform Illumination**
- **LED is Available – Contact Factory with Requirements**
- **Vented for Optimum Lamp Performance**
- **Quick-Wire Access Plate**
- **Dimming, Emergency, Occupancy Sensor or Light Level Sensor Options**
- **Multiple Mounting Options: Surface Mount, Chain or Gripple Ready, Single Point Mounting Box or Cord**
- **Multiple Lens Options: Wire Guard, Prismatic, Clear Acrylic, or Clear Polycarbonate Lens**
- **Multiple Finish Options: Gloss White Post Powdercoated, Galvanized Baked White Enamel Steel**
- **Short Lead Times**