

**E-I SERIES**  
**T8 or T5 INDUSTRIAL with CROWN REFLECTOR**



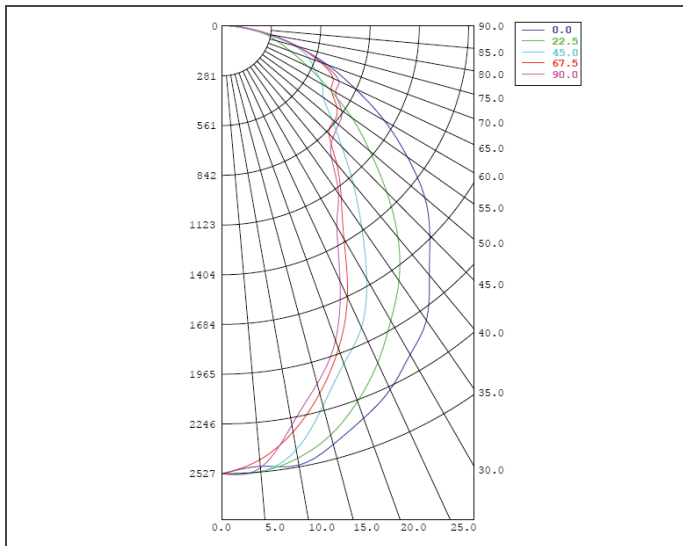
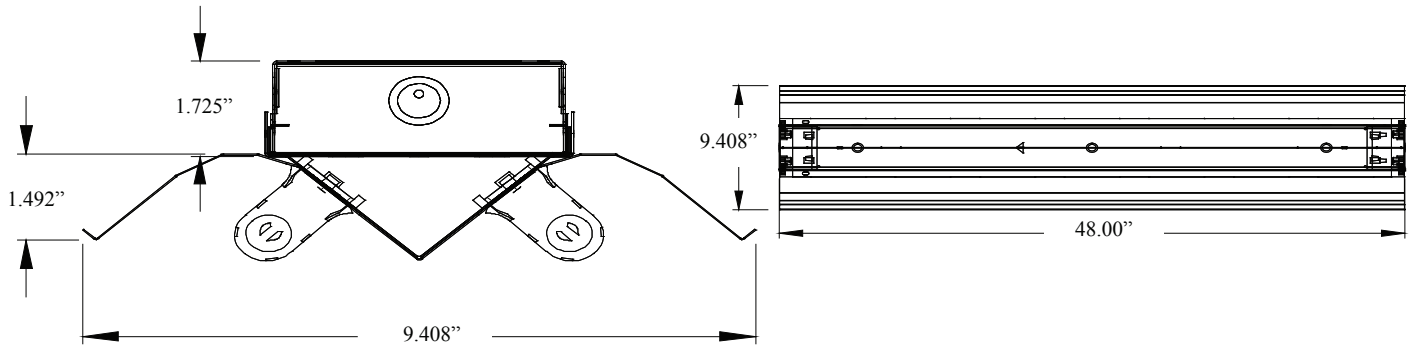
<p><b>Housing:</b> 22GA steel. <b>Finish:</b> Baked white enamel or post powdercoat steel. <b>Construction:</b> CNC formed and mechanically joined. <b>Lens:</b> Optional 11GA wireguard.</p>			<p><b>Mounting:</b> Suspended or surface mounted. <b>Distribution:</b> Medium to wide. <b>Electrical:</b> Electronic Low, Standard or High output options; Instant Start is factory standard for T8, Program Start for T5; &lt;10% THD; Inherent thermal protection; Dimming &amp; Emergency available. <b>Labels:</b> UL/CUL listed. Damp Location.</p>		
SPEC.	NOM.	DESCRIPTION	SPEC.	NOM.	DESCRIPTION
Finish	---	Baked white enamel - no designation needed	Lens	---	No lens (standard) - no designation needed
	P	Powdercoat <b>gloss white</b>		WG	11 Gauge galvanized wireguard
Dimension	12	Nominal 9" wide x 24" long	Voltage	U	Universal volt 120-277 (factory standard)
	13	Nominal 9" wide x 36" long		H	347-480 volt
	14	Nominal 9" wide x 48" long		1B	Emergency Battery Back-up 120v
	18	Nominal 9" wide x 96" long		2B	Emergency Battery Back-up 277v (T8 = 500 lumens factory standard) (T5 std = 500 lumens or T5HO = 825 lumens)
Lamping		<b>T8 = 32W, 25W, 17W per lamp</b> <b>T5 = 54W, 39W, 21W or 28W, 21W, 14W per lamp</b> <b>Lamps are not included unless otherwise noted</b>	Reflector	E	Enhanced Aluminum 95% reflective
	1	(1) lamp in cross section (2,3,4ft)		W	White Aluminum 90%+ reflective
	2	(2) lamps in cross section (2,3,4ft); 1 in cross (8ft)		EU	Enhanced Aluminum 95% reflective + 10% upright slots
	3	(3) lamps in cross section (2,3,4ft)		WU	White Aluminum 90%+ reflective + 10% upright slots
	4	(4) lamps in cross section (2,3,4ft); 2 in cross (8ft)	Mounting	---	Surface Mounted (standard) - no designation needed
	6	(6) lamps - 3 in cross section (8ft only)		---	Chain Suspended (by others) - no designation needed
8	(8) lamps - 4 in cross section (8ft only)	C	8ft Powercord, black 18/3 wire		
Ballast		<b>T8</b>	Options	Y	Y-fit Gripple® Toggle 6" Y x 8' long Shows as separate line item on order: part# H-Y6"HNGR-10'
	S	Standard Electronic T8		S	Slave
	L	Low Output Electronic T8		M2	Master 2 Lamp
	H	High Output Electronic T8		M3	Master 3 Lamp
	D	Electronic Dimming T8 – specify type & voltage		M4	Master 4 Lamp
	P	Program Start Electronic T8		O	360° degree occupancy sensor
	SP	Standard Output/Program Start Combination T8		A	Aisle occupancy sensor
	HP	High Output/Program Start Combination T8		R	Relay
	N	No Ballast - Slave		M	Multi-circuit wiring
		<b>T5</b>		Q	Plug-in through-wiring
S5	Standard Electronic T5 28W				
H5	High Output Electronic T5 54W				
DS	Dimming Standard Electronic T5 28W – specify type & voltage				
DH	Dimming High Output Electronic T5 54W – specify type & voltage				

**ORDERING NOMENCLATURE GUIDE**

**Standard Fixture: E-I142SUE**  
Catalog # for an I Type Fixture – Baked White Enamel - Nominal 1 ft x 4 ft Long - 2 Lamps in cross section - Standard T8 Electronic Ballast - No Lens or Asymmetric Reflector - Universal Voltage - Enhanced Reflector - Standard Surface Mount - No Options.

8E Product	Series	Finish	Dimension	Lamping	Ballast	Lens	Voltage	Reflector	Mounting	Options
<b>E -</b>	<b>I</b>									

**E-I SERIES**  
**T8 or T5 INDUSTRIAL with CROWN REFLECTOR**



**PRODUCT NUMBER = E-I142SUE**

**FIXTURE EFFICIENCY = 92.1%**

**S.M.H. = 0.89**

**WATTAGE = 52W (BASED ON 277V)**

**RCR TABLE AVAILABLE**

**IES PHOTOMETRIC FILE AVAILABLE**

**SPECIFICATION CHARACTERISTICS**

- **Medium to Wide Distribution Utilizing Energy Efficient Components Throughout**
- **Highly Efficient Luminaire – Over 92%**
- **Instant On, Long Life, Lower Energy Consumption, No Color Shift**
- **Uniform Illumination**
- **Dimming, Emergency, Occupancy Sensor or Light Level Sensor Options**
- **Multiple Mounting Options: Surface Mount, Chain or Gripple Ready or Cord**
- **Wireguard Option**
- **Asymmetric Reflector Option**
- **10% Uplight Option**
- **Channel has Full Return Flange for Added Safety**
- **Rigid Continuous Row Connectors are Provided with Every Unit**
- **Optional Quick Connect Powerfeed Through-Wiring (3 circuits)**
- **Multiple Finish Options: Gloss White Post Powdercoated or Baked White Enamel Steel**
- **Short Lead Times**