

**E-STN SERIES
T8 or T5 STRIP NARROW LUMINAIRE**



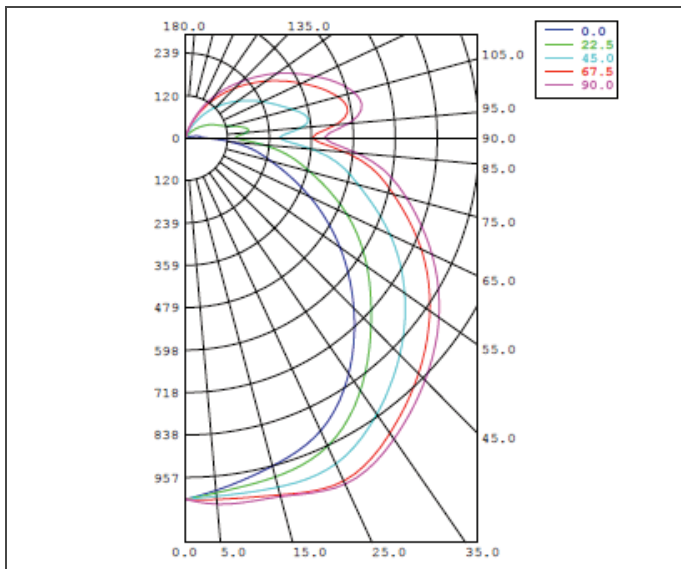
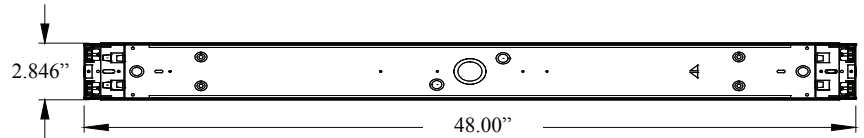
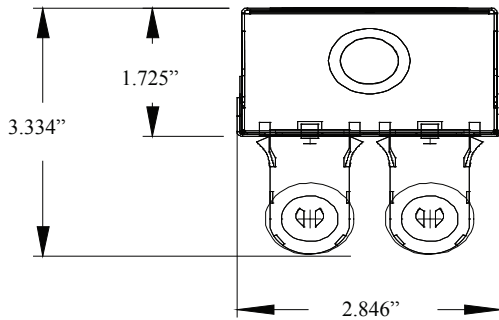
| <p>Housing: 22GA steel. Finish: Baked white enamel or post powdercoat steel. Construction: CNC formed and mechanically joined. Mounting: Suspended or surface mounted.</p> | | | <p>Distribution: Wide. Electrical: Electronic Low, Standard or High output options; Instant Start is factory standard for T8, Program Start for T5; <10% THD; Inherent thermal protection; Dimming & Emergency available. Labels: UL/CUL listed. Damp Location.</p> | | |
|--|--|--|---|---|--|
| SPEC. | NOM. | DESCRIPTION | SPEC. | NOM. | DESCRIPTION |
| Finish | --- | Baked white enamel - no designation needed Powdercoat gloss white | Lens | --- | No lens (standard) - no designation needed |
| Dimension | 12 13 14 16 18 | Nominal 3" wide x 24" long Nominal 3" wide x 36" long Nominal 3" wide x 48" long Nominal 3" wide x 72" long Nominal 3" wide x 96" long | Voltage | U H 1B 2B | Universal volt 120-277 (factory standard) 347-480 volt Emergency Battery Back-up 120v Emergency Battery Back-up 277v (T8 = 500 lumens factory standard) (T5 std = 500 lumens or T5HO = 825 lumens) |
| Lamping | 1 2 3 4 | T8 = 32W, 25W, 17W per lamp T5 = 54W, 39W, 21W or 28W, 21W, 14W per lamp Lamps are not included unless otherwise noted (1) lamp in cross section (2,3,4ft) (2) lamps in cross section (2,3,4ft); 1 in cross (6,8ft) (3) lamps - 1&2 in cross section (6,8ft) (4) lamps - 2 in cross section (6,8ft) | Mounting | --- | Surface Mounted (standard) - no designation needed Chain Suspended (by others) - no designation needed 8ft Powercord, black 18/3 wire Y-fit Gripple® Toggle 6" Y x 8' long Shows as separate line item on order: part# H-Y6"HNGR-10' |
| Ballast | S L H D P SP HP N S5 H5 DS DH | T8 Standard Electronic T8 Low Output Electronic T8 High Output Electronic T8 Electronic Dimming T8 – specify type & voltage Program Start Electronic T8 Standard Output/Program Start Combination T8 High Output/Program Start Combination T8 No Ballast - Slave T5 Standard Electronic T5 28W High Output Electronic T5 54W Dimming Standard Electronic T5 28W – specify type & voltage Dimming High Output Electronic T5 54W – specify type & voltage | Options | S M2 M3 M4 O A R M Q | Slave Master 2 Lamp Master 3 Lamp Master 4 Lamp 360° degree occupancy sensor Aisle occupancy sensor Relay Multi-circuit wiring Plug-in through-wiring |

ORDERING NOMENCLATURE GUIDE

Standard Fixture: E-STN142SU
Catalog # for an STN Type Fixture – Baked White Enamel - Nominal 1 ft x 4 ft Long - 2 Lamps in cross section - Standard T8 Electronic Ballast - No Lens - Universal Voltage - Standard Surface Mount - No Options.

| 8E Product | Series | Finish | Dimension | Lamping | Ballast | Lens | Voltage | Mounting | Options |
|------------|------------|--------|-----------|---------|---------|------|---------|----------|---------|
| E - | STN | | | | | | | | |

E-STN SERIES
T8 or T5 STRIP NARROW LUMINAIRE



PRODUCT NUMBER = E-STN142SU
FIXTURE EFFICIENCY = 89.6%
S.M.H. = 1.54
WATTAGE = 52W (BASED ON 277V)
RCR TABLE AVAILABLE
IES PHOTOMETRIC FILE AVAILABLE

SPECIFICATION CHARACTERISTICS

- **Wide Distribution Utilizing Energy Efficient Components Throughout**
- **Highly Efficient Luminaire – Over 89%**
- **Instant On, Long Life, Lower Energy Consumption, No Color Shift**
- **Uniform Illumination**
- **Dimming, Emergency, Occupancy Sensor or Light Level Sensor Options**
- **Multiple Mounting Options: Surface Mount, Chain or Gripple Ready or Cord**
- **Optional Quick Connect Powerfeed Through-Wiring (3 circuits)**
- **Rigid Continuous Row Connectors are Provided with Every Unit**
- **Multiple Finish Options: Gloss White Post Powdercoated or Baked White Enamel Steel**
- **Short Lead Times**