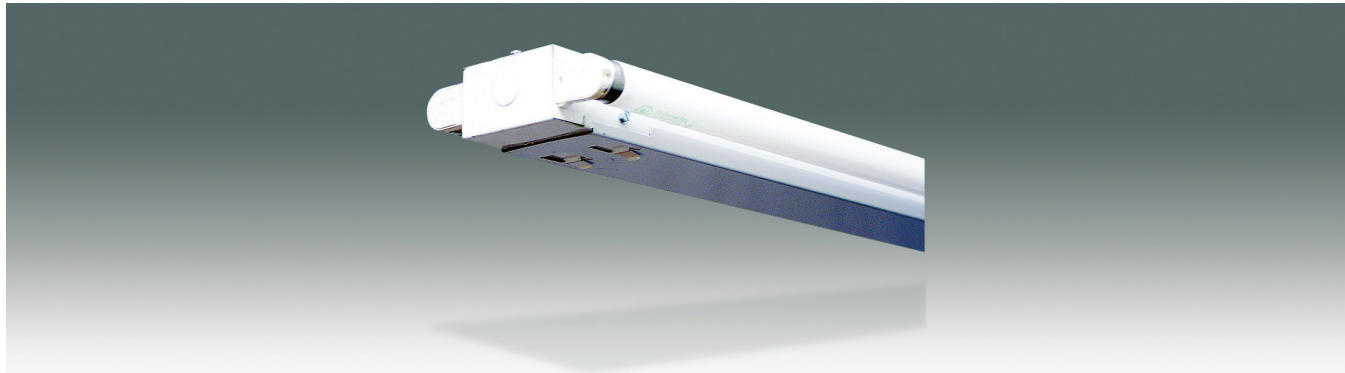


**E-STNS SERIES**  
**T8 or T5 STRIP NARROW SIDE LAMP LUMINAIRE**



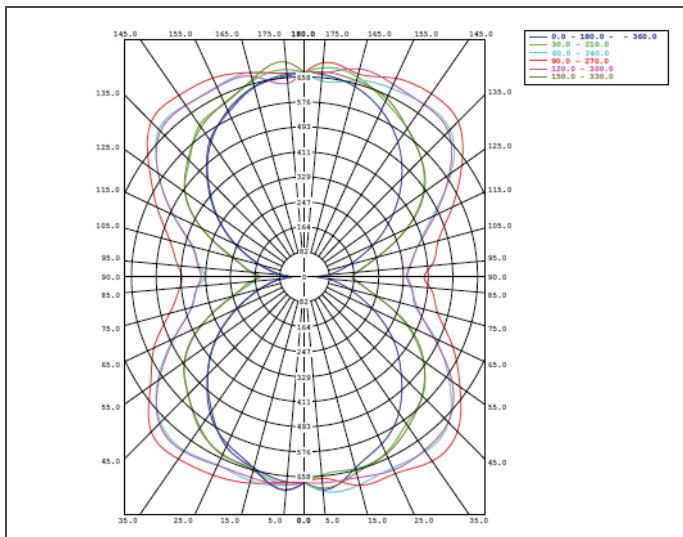
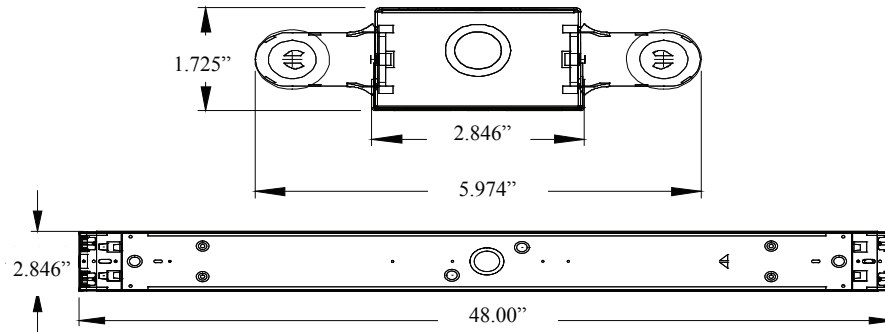
<p><b>Housing:</b> 22GA steel. <b>Finish:</b> Baked white enamel or post powdercoat steel. <b>Construction:</b> CNC formed and mechanically joined. <b>Mounting:</b> Suspended or surface mounted.</p>			<p><b>Distribution:</b> Wide. <b>Electrical:</b> Electronic Low, Standard or High output options; Instant Start is factory standard for T8, Program Start for T5; &lt;10% THD; Inherent thermal protection; Dimming &amp; Emergency available. <b>Labels:</b> UL/CUL listed. Damp Location.</p>		
SPEC.	NOM.	DESCRIPTION	SPEC.	NOM.	DESCRIPTION
<b>Finish</b>	---	Baked white enamel - no designation needed Powdercoat <b>gloss white</b>	<b>Lens</b>	---	No lens (standard) - no designation needed
<b>Dimension</b>	12 13 14	Nominal 3" wide x 24" long Nominal 3" wide x 36" long Nominal 3" wide x 48" long	<b>Voltage</b>	<b>U</b> <b>H</b> <b>1B</b> <b>2B</b>	Universal volt 120-277 (factory standard) 347-480 volt Emergency Battery Back-up 120v Emergency Battery Back-up 277v (T8 = 500 lumens factory standard) (T5 std = 500 lumens or T5HO = 825 lumens)
<b>Lamping</b>	1 2 3 4	<b>T8 = 32W, 25W, 17W per lamp</b> <b>T5 = 54W, 39W, 21W or 28W, 21W, 14W per lamp</b> <b>Lamps are not included unless otherwise noted</b> (1) lamp in cross section (2,3,4ft) (2) lamps in cross section (2,3,4ft) (3) lamps in cross section (2,3,4ft) (4) lamps in cross section (2,3,4ft)	<b>Mounting</b>	---	Surface Mounted (standard) - no designation needed Chain Suspended (by others) - no designation needed 8ft Powercord, black 18/3 wire Y-fit Gripple® Toggle 6" Y x 8' long Shows as separate line item on order: part# H-Y6"HNGR-10'
<b>Ballast</b>	<b>S</b> <b>L</b> <b>H</b> <b>D</b> <b>P</b> <b>SP</b> <b>HP</b> <b>N</b>  <b>S5</b> <b>H5</b> <b>DS</b> <b>DH</b>	<b>T8</b> Standard Electronic T8 Low Output Electronic T8 High Output Electronic T8 Electronic Dimming T8 – specify type & voltage Program Start Electronic T8 Standard Output/Program Start Combination T8 High Output/Program Start Combination T8 No Ballast - Slave <b>T5</b> Standard Electronic T5 28W High Output Electronic T5 54W Dimming Standard Electronic T5 28W – specify type & voltage Dimming High Output Electronic T5 54W – specify type & voltage	<b>Options</b>	<b>S</b> <b>M2</b> <b>M3</b> <b>M4</b> <b>O</b> <b>A</b> <b>R</b> <b>M</b> <b>Q</b>	Slave Master 2 Lamp Master 3 Lamp Master 4 Lamp 360° degree occupancy sensor Aisle occupancy sensor Relay Multi-circuit wiring Plug-in through-wiring

**ORDERING NOMENCLATURE GUIDE**

**Standard Fixture: E-STNS142SU**  
Catalog # for an STNS Type Fixture – Baked White Enamel - Nominal 1 ft x 4 ft Long - 2 Lamps in cross section - Standard T8 Electronic Ballast - No Lens - Universal Voltage - Standard Surface Mount - No Options.

8E Product	Series	Finish	Dimension	Lamping	Ballast	Lens	Voltage	Mounting	Options
<b>E -</b>	<b>STNS</b>								

**E-STNS SERIES**  
**T8 or T5 STRIP NARROW SIDE LAMP LUMINAIRE**



**PRODUCT NUMBER = E-STNS142SU**

**FIXTURE EFFICIENCY = 97.8%**

**S.M.H. = 1.6**

**WATTAGE = 52W (BASED ON 277V)**

**RCR TABLE AVAILABLE**

**IES PHOTOMETRIC FILE AVAILABLE**

**SPECIFICATION CHARACTERISTICS**

- **Wide Distribution Utilizing Energy Efficient Components Throughout**
- **Highly Efficient Luminaire – Over 97%**
- **Instant On, Long Life, Lower Energy Consumption, No Color Shift**
- **Uniform Illumination**
- **Dimming, Emergency, Occupancy Sensor or Light Level Sensor Options**
- **Multiple Mounting Options: Surface Mount, Chain or Gripple Ready or Cord**
- **Optional Quick Connect Powerfeed Through-Wiring (3 circuits)**
- **Rigid Continuous Row Connectors are Provided with Every Unit**
- **Multiple Finish Options: Gloss White Post Powdercoated or Baked White Enamel Steel**
- **Short Lead Times**