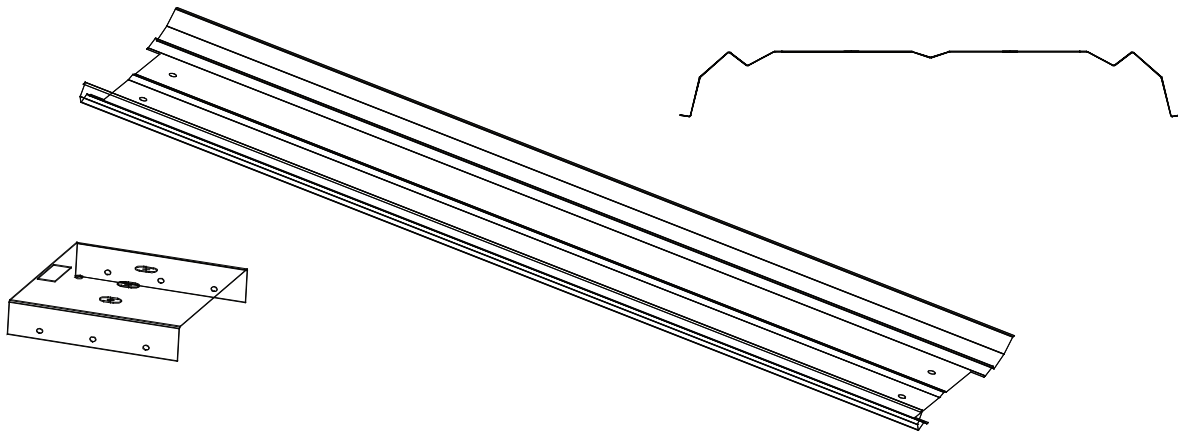


K-QWH142I1000R or K-QWH184I1000R
For channel sizes 8.125" – 10.00"
REFLECTOR WITH QUARTER-TURN FASTENERS RETROFIT SYSTEM



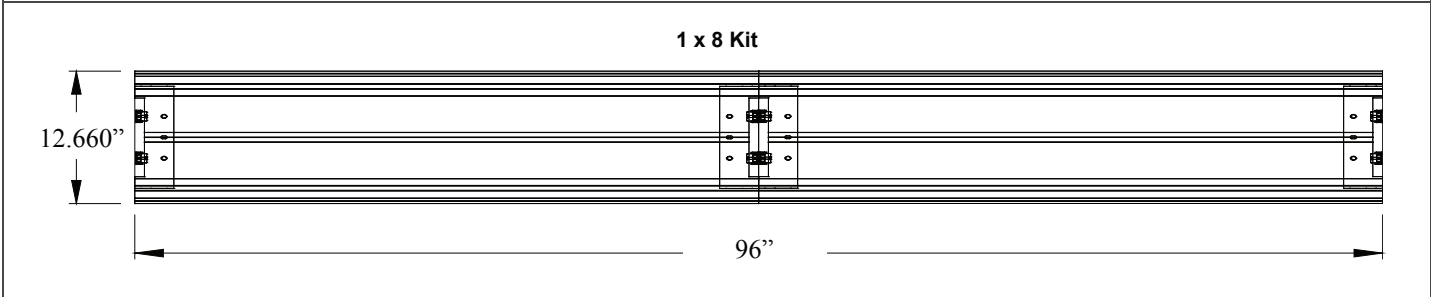
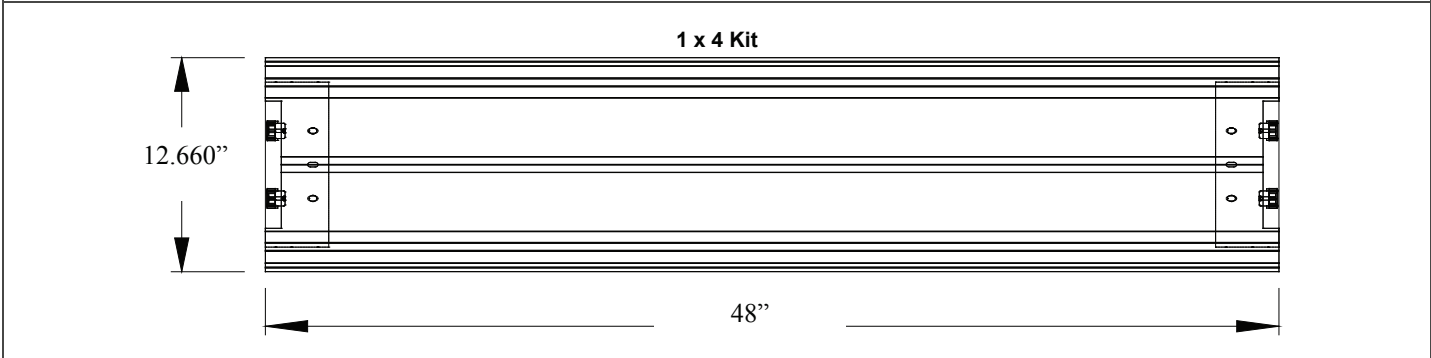
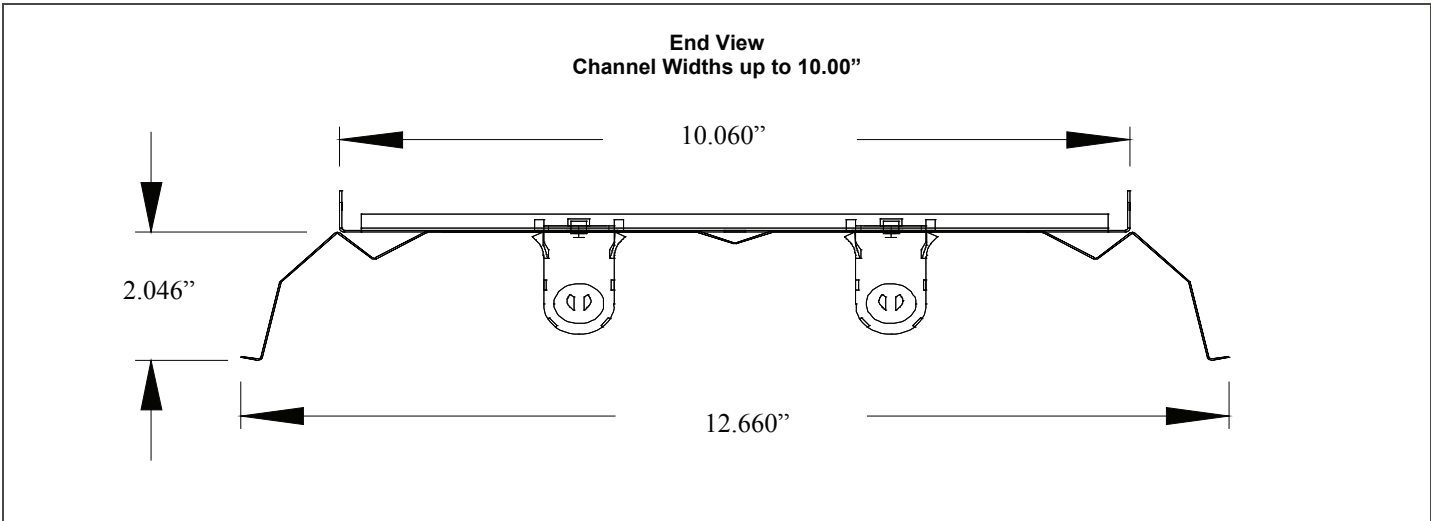
<p>Dimension: .020 nominal thickness, multi-faceted reflector surface. 22GA steel brackets.</p> <p>Finish: Enhanced aluminum (Miro4), Painted white aluminum, or Premium aluminum available. Baked white enamel brackets.</p> <p>Construction: CNC formed. Engineered using state of the art CAD/CAM systems.</p>			<p>Mounting: Reflector systems are mounted using "Quarter-Turn" hardware for easy ballast access. Ballast mounts on existing fixture can.</p> <p>Kit Includes: Reflector per four foot section, socket brackets, mid brackets when applicable, lampholders, quarter-turn fasteners</p> <p>Labels: UL/CUL listed.</p>			
SPEC.	NOM.	DESCRIPTION	SPEC.	NOM.	DESCRIPTION	
Reflector	QEN	Enhanced Aluminum 95% reflective	Channel Width	850	8.50" channel width	
	QWH	White Aluminum 90%+ reflective		875	8.75" channel width	
QPR	Premium Aluminum 86% reflective	900		9.00" channel width		
Dimension	13	Nominal 36" long (custom – consult factory)		925	9.25" channel width	
	14	Nominal 48" long		950	9.50" channel width	
	16	Nominal 72" long (custom – consult factory)		975	9.75" channel width	
	18	Nominal 96" long		1000	10.00" channel width	
	Lamping	1		T8 = 32W or 25W per lamp Lamps are not included unless otherwise noted (1) lamp in cross section (3,4ft)	Custom-Fill in:	Consult Factory for any channel widths not shown up to 10.00" for this reflector. See 5" and 8" reflector cut sheets for more channel sizes. We can design specific channel sizes from 2.75" – 10", up to 3 lamps in cross section. See Survey Sheet for instructions on how to measure for channel sizes.
2		(2) lamps in cross section (3,4ft); 1 in cross (6,8ft)		----		
3		(3) lamps in cross section (3,4ft)		Lampholders	R	Ratchet/rotary, positive-locking, long lampholders included.
4		(4) lamps - 2 in cross section (6,8ft only)				
6		(6) lamps - 3 in cross section (6,8ft only)				
Reflector Style		I	Industrial			

ORDERING NOMENCLATURE GUIDE

Standard Kit: K-QWH142I1000R
Catalog # for a Reflector Quarter-Turn Kit - Nominal 1 ft x 4 ft Long - 2 Lamp in cross section - 10.00" channel width - Includes lampholders.
Above kit includes 2, 1 lamp brackets; 1, 4ft white reflector; 4 quarter turn fasteners; 4 lampholders.

8E Kit	Reflector	Dimension	Lamping	Reflector Style	Channel Width	Lampholders
K -						

K-QWH142I1000R or K-QWH184I1000R
For channel sizes 8.125" – 10.00"
REFLECTOR WITH QUARTER-TURN FASTENERS RETROFIT SYSTEM



SPECIFICATION CHARACTERISTICS

- Includes Baked White Enamel 22GA Steel Socket Brackets
- Includes Baked White Enamel 22GA Steel Socket Mid-Brackets for 8ft Kits
- Multiple Finish Options: Enhanced Aluminum (Miro4), Painted White Aluminum, or Premium Aluminum
- Includes Quarter-Turn Fasteners for Ease of Ballast Access
- Includes Positive Locking, Rotary Style, Heavy-Duty Lampholders
- Can be Specifically Designed to your Custom Field Application. Consult Factory.
- Short Lead Times