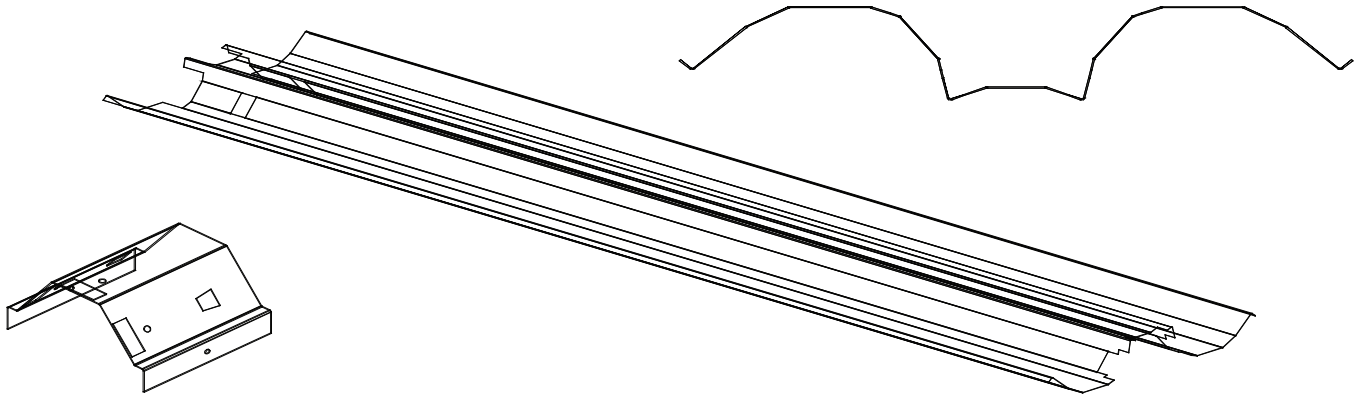


K-WH143IC500R
For channel sizes 3.75" – 5.00"
CROWN REFLECTOR WITH QUICK-TAB FASTENERS RETROFIT SYSTEM



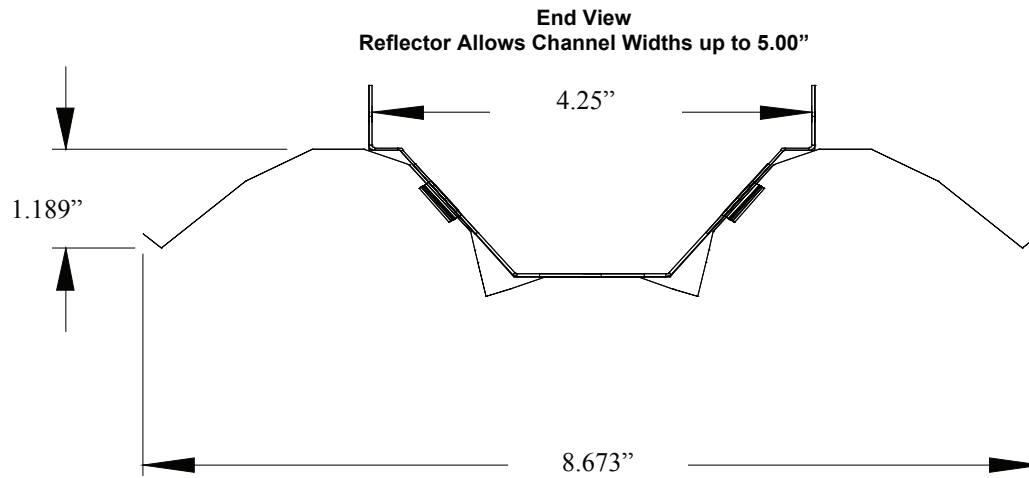
<p>Dimension: .020 nominal thickness, multi-faceted reflector surface. 22GA steel brackets.</p> <p>Finish: Enhanced aluminum (Miro4), Painted white aluminum, or Premium aluminum available. Baked white enamel brackets.</p> <p>Construction: CNC formed. Engineered using state of the art CAD/CAM systems.</p>			<p>Mounting: Reflector systems are mounted using "Quick-Tab" mounting for easy ballast access. Ballast mounts on existing fixture can.</p> <p>Kit Includes: Reflector per four foot section, socket brackets, lampholders.</p> <p>Labels: UL/CUL listed.</p>		
SPEC.	NOM.	DESCRIPTION	SPEC.	NOM.	DESCRIPTION
Reflector	EN WH PR	Enhanced Aluminum 95% reflective White Aluminum 90%+ reflective Premium Aluminum 86% reflective	Channel Width	375	3.75" channel width
Dimension	13 14	Nominal 36" long (custom – consult factory) Nominal 48" long		400	4.00" channel width
Lamping	3	T8 = 32W or 25W per lamp Lamps are not included unless otherwise noted (3) lamps in cross section (3,4ft)		425	4.25" channel width
Reflector Style	IC	Industrial Crown		4375	4.375" channel width
				450	4.50" channel width
				475	4.75" channel width
				500	5.00" channel width
				Custom-Fill in: - - - -	Consult Factory for any channel widths not shown up to 5.00" for this reflector or greater than 5.00" channel widths. See Survey Sheet for instructions on how to measure for channel sizes.
			Lampholders	R	Ratchet/rotary, positive-locking, long lampholders included.

ORDERING NOMENCLATURE GUIDE

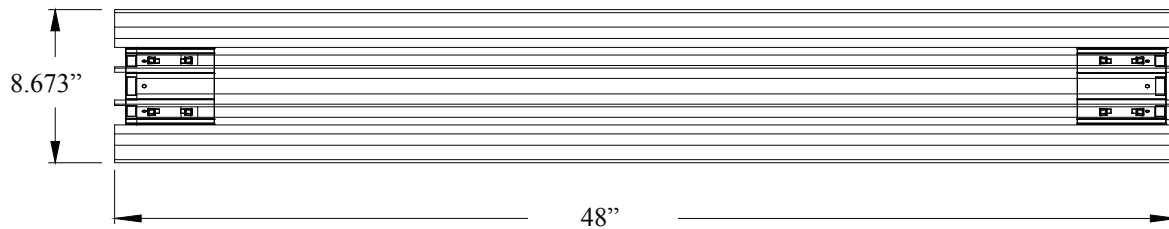
Standard Kit: K-WH143IC425R
Catalog # for a Reflector Quick-Tab Kit - Nominal 1 ft x 4 ft Long - 3 Lamp in cross section - 4.25" channel width - Includes lampholders.
Above kit includes 2, 3 lamp brackets; 1, 4ft white reflector; 6 lampholders.

8E Kit	Reflector	Dimension	Lamping	Reflector Style	Channel Width	Lampholders
K -						

K-WH143IC500R
For channel sizes 3.75" – 5.00"
CROWN REFLECTOR WITH QUICK-TAB FASTENERS RETROFIT SYSTEM



1 x 4 Kit



SPECIFICATION CHARACTERISTICS

- Includes Baked White Enamel 22GA Steel Socket Brackets
- Multiple Finish Options: Enhanced Aluminum (Miro4), Painted White Aluminum, or Premium Aluminum
- Includes Quick-Tab Fastening for Ease of Ballast Access
- Includes Positive Locking, Rotary Style, Heavy-Duty Lampholders
- Can be Specifically Designed to your Custom Field Application. Consult Factory.
- Short Lead Times