

**E-RBP SERIES
T8 RADIAL LENS BEDLIGHT**



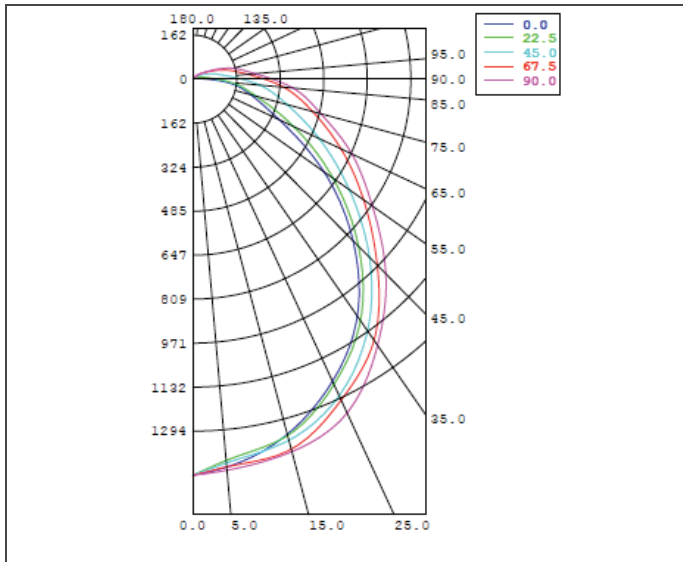
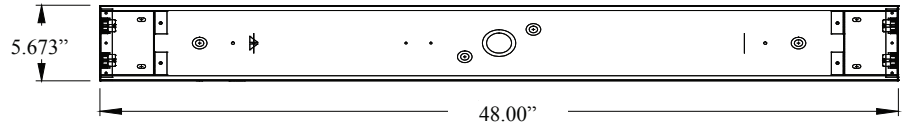
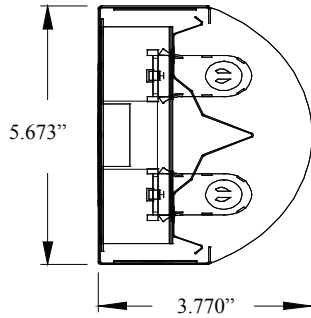
<p>Housing: 22GA steel. Finish: Post powdercoat gloss white. Construction: CNC formed and welded ends. Lens: Proprietary high-performance, radial, linear lens. Options: 3-Way pull-chain switch or receptacle.</p>			<p>Mounting: Wall mounted. Distribution: Wide. Electrical: Electronic Low, Standard or High output options; Instant Start is factory standard; <10% THD; Inherent thermal protection; Dimming & Emergency available. Labels: UL/CUL listed. Damp Location.</p>		
SPEC.	NOM.	DESCRIPTION	SPEC.	NOM.	DESCRIPTION
Finish	P	Powdercoat gloss white Please specify other color on PO if required.	Lens	RL	Radial linear acrylic
Dimension	13 14	Nominal 6" wide x 36" long Nominal 6" wide x 48" long	Voltage	U H 1 2 3 4 1B 2B	Universal volt 120-277 (factory standard) 347-480 volt 120 volt (specify with LED or dimming) 277 volt (specify with LED or dimming) 347 volt (specify with LED or dimming) 480 volt (specify with LED or dimming) Emergency Battery Back-up 120v Emergency Battery Back-up 277v (T8 = 500 lumens factory standard)
Lamping	2 L	T8 = 32W, 25W per lamp Lamps are not included unless otherwise noted (2) lamps in cross section LED – contact factory & specify voltage	Reflector	E W	Enhanced Aluminum 95% reflective White Aluminum 90%+ reflective
Ballast	S L H D P LED LDD	T8 Standard Electronic T8 Low Output Electronic T8 High Output Electronic T8 Electronic Dimming T8 – specify type & voltage Program Start Electronic T8 LED LED Transformer – contact factory LED Dimming Transformer – contact factory	Mounting	--- C	Wall Mounted (standard) - no designation needed 8ft Powercord, black 18/3 wire with 3 prong 120v plug
			Options	M V	Multi-circuit wiring with 3-way switch Receptacle 120volt

ORDERING NOMENCLATURE GUIDE

Standard Fixture: E-RBP142SRLUW
 Catalog # for a RB Type Fixture – Powdercoated Gloss White - Nominal 1 ft x 4 ft Long - 2 Lamps in cross section - Standard T8 Electronic Ballast - Radial Lenses - Universal Voltage - White Reflector - Standard Wall Mount - No Options.

8E Product	Series	Finish	Dimension	Lamping	Ballast	Lens	Voltage	Reflector	Mounting	Options
E -	RB									

**E-RBP SERIES
T8 RADIAL LENS BEDLIGHT**



PRODUCT NUMBER = E-RBP142SRLUW

FIXTURE EFFICIENCY = 76.9%

S.M.H. = 1.30

WATTAGE = 52W (BASED ON 277V)

RCR TABLE AVAILABLE

IES PHOTOMETRIC FILE AVAILABLE

SPECIFICATION CHARACTERISTICS

- **Wide Distribution Utilizing Energy Efficient Components Throughout**
- **Highly Efficient Luminaire – Over 76%**
- **Instant On, Long Life, Lower Energy Consumption, No Color Shift**
- **Uniform Illumination**
- **LED is Available – Contact Factory with Requirements**
- **Dimming, Emergency Options**
- **Pull Chain is Standard**
- **Optional A/B Switching with 3 Way Pull Chain or Optional Receptacle**
- **Proprietary Radial Linear Acrylic Lens for Wide, Even Distribution**
- **Finish: Gloss White Post Powdercoated. Other finishes available. Please consult factory.**
- **Short Lead Times**