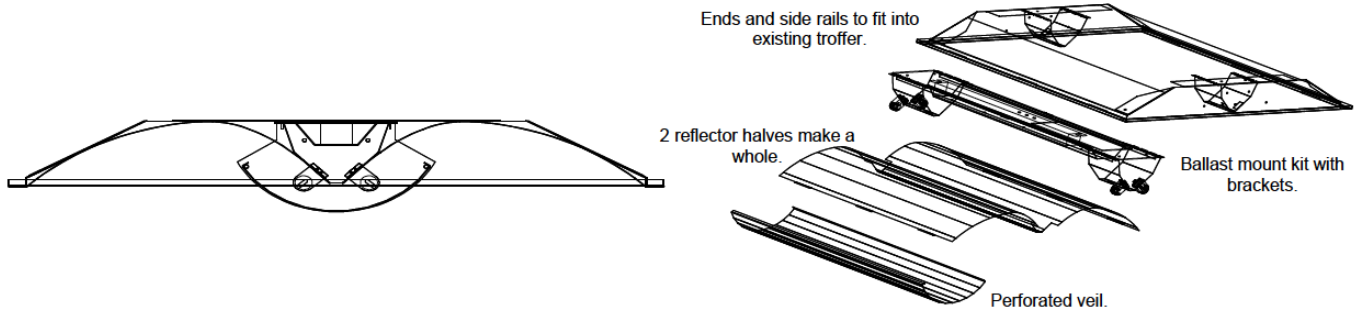


Project:
Type:
Quantity:

E-VK242H5P1UW
FULLY ASSEMBLED SEMI-RECESSED PERFORATED VEIL TROFFER RETROFIT SYSTEM



Dimension: .020 nominal thickness, multi-faceted reflector surface & perforated veil. 16GA galvanized ballast mount plate, 22GA and 24GA steel kit parts.

Finish: Painted white aluminum reflector. Powdercoated satin white veil and kit parts.

Mounting: Retrofit troffer into semi-recessed veil luminaire. Ballast mount systems are mounted using 1" – 3" self-drilling Tek screw hardware (supplied by others).

Construction: CNC formed and mechanically joined.

Fixture Kit Includes: Veil, two half-reflectors, brackets, ballast mount plate, ballast cover, access plate, brackets, side rails, ballast, lamp holders and quarter-turns. Fully assembled. Ready for installation.

Electrical: Electronic Standard or High output options; Program Start Ballast is factory standard; <10% THD; Inherent thermal protection; Dimming and Emergency available.

Labels: UL/CUL listed.

SPEC.	NOM.	DESCRIPTION
Assembled Kit Type	VK	Fully Assembled Veil Powdercoated Kit
Dimension	14 22 24	Nominal 48" long Nominal 24" long Nominal 48" long
Lamping	1 2	T5 = 54W, 24W or 28W, 14W per lamp Lamps are not included unless otherwise noted (1) lamps in cross section (2) lamps in cross section
Ballast	S5 H5 DS DH	T5 Standard Electronic T5 28W High Output Electronic T5 54W Dimming Standard Electronic T5 28W Dimming High Output Electronic T5 54W <i>Specify type & voltage if dimming</i>

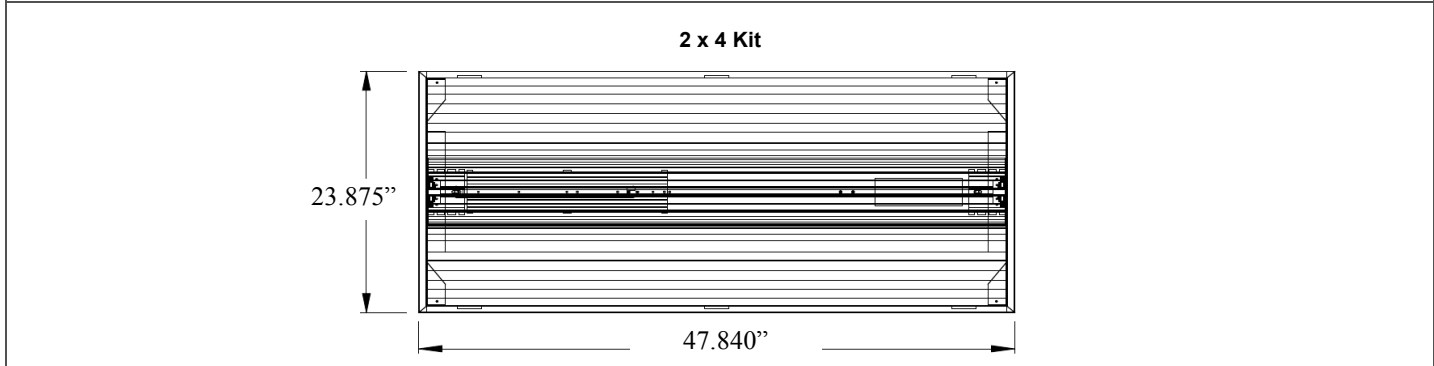
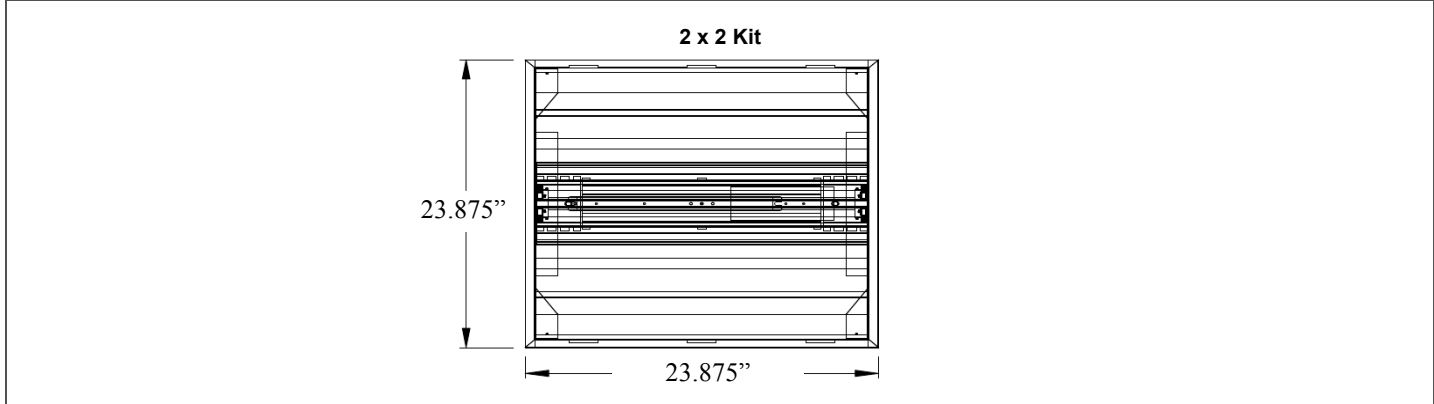
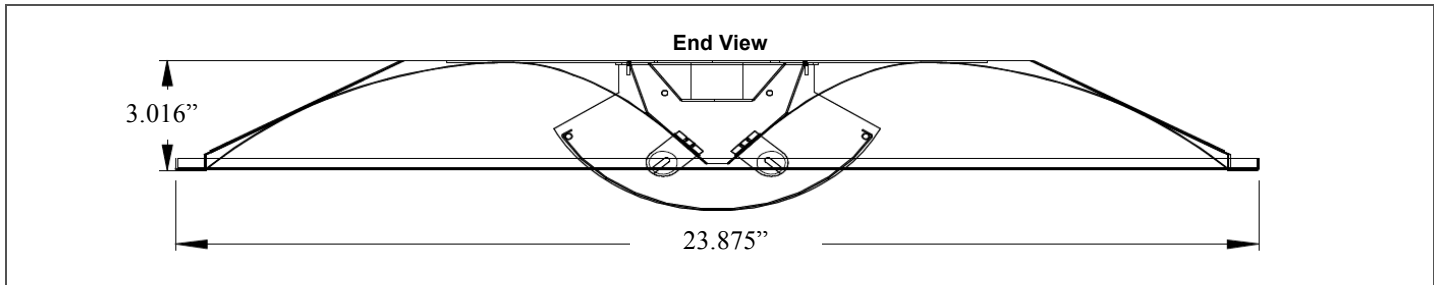
SPEC.	NOM.	DESCRIPTION
Lens	P1 P2	20% Open Perforated Veil (standard) 50% Open Perforated Veil includes mylar acrylic lens
Voltage	U H 1B 2B	Universal volt 120-277 (factory standard) 347-480 volt Emergency Battery Back-up 120v Emergency Battery Back-up 277v (T5 std = 500 lumens or T5HO = 825 lumens)
Reflector	W	White Aluminum 90%+ reflective
Options	S M4 AB R	Slave Master 4 Lamp A/B Switched Relay

ORDERING NOMENCLATURE GUIDE

Standard Fixture: E-VK242H5P1UW
Catalog # for a Fully Assembled Veil Powdercoat Kit - Nominal 2 ft x 4 ft Long - 2 Lamps in cross section - High Output T5 Electronic Ballast - P1 Perforated Veil - Universal Voltage - White Reflector - No options.
Above kit includes 2 half reflectors, 1 veil, 2 veil caps, 1 ballast cover, 1 ballast mount plate, 2 end plates, 2 brackets, 2 side rails, 1 ballast and 4 lampholders, all fully assembled.

8E Product	Kit Type	Dimension	Lamping	Ballast	Lens	Voltage	Reflector	Options
E -	VK							

E-VK242H5P1UW
FULLY ASSEMBLED SEMI-RECESSED PERFORATED VEIL TROFFER RETROFIT SYSTEM



SPECIFICATION CHARACTERISTICS

- Includes Softglo Post Powdercoated Perforated Veil - Provides Unparalleled Visual Comfort. Veil is Positioned just Below the Ceiling Line.
- Dual Reflectors are made of 90%+ Highly Reflective White
- Includes Baked White Enamel 24GA Steel End Plates and 22GA Steel Socket Brackets, Side Rails and Ballast Covers
- Includes 16GA Galvanized Ballast Mount Plate with Access
- Includes Positive Locking, Rotary Style, Heavy-Duty Lampholders
- Includes Quarter-Turn Fasteners for Ease of Ballast Access
- Ballast is Included and is Wired and Attached for Immediate Installation
- Instant On, Long Life, Lower Energy Consumption, No Color Shift
- Mounted Using 1" – 3" Self-Drilling Tek Screw Hardware (not provided) for Easy Ballast Access
- Can be Specifically Designed to your Custom Field Application. Consult Factory.
- Short Lead Times