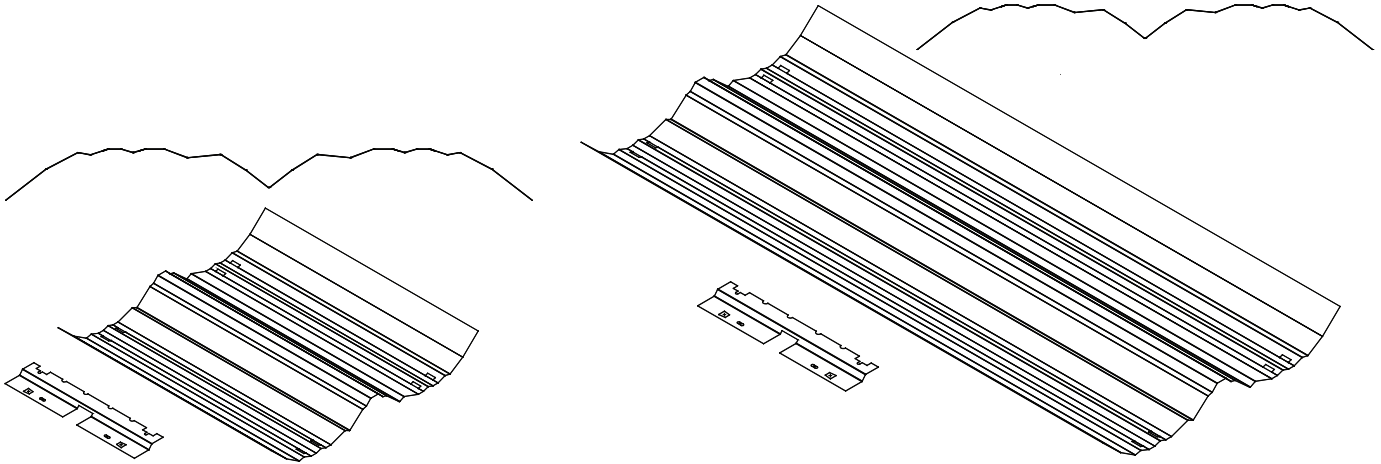


Project:
Type:
Quantity:

**K-EN222TSHDC or K-EN242TSHDC
TROFFER SHALLOW FOR DEEP CELL LOUVER RETROFIT SYSTEM**



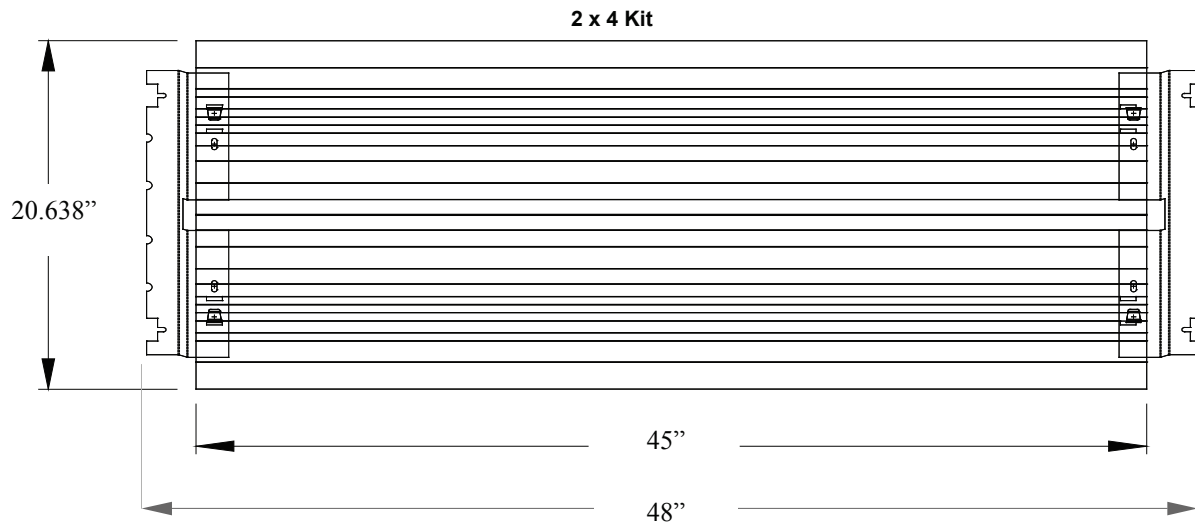
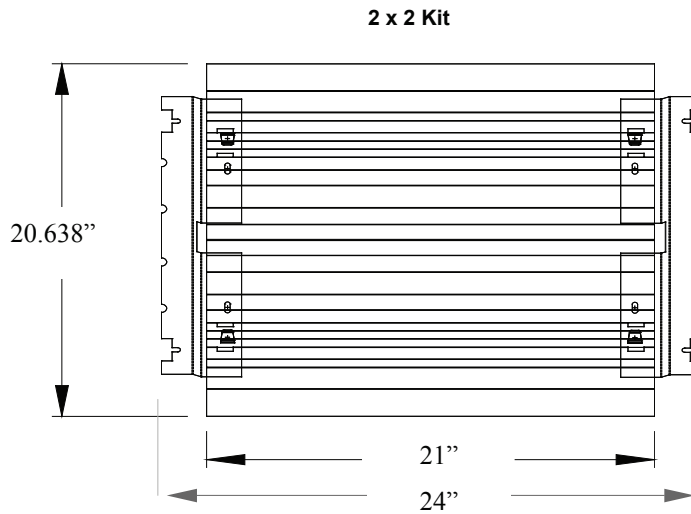
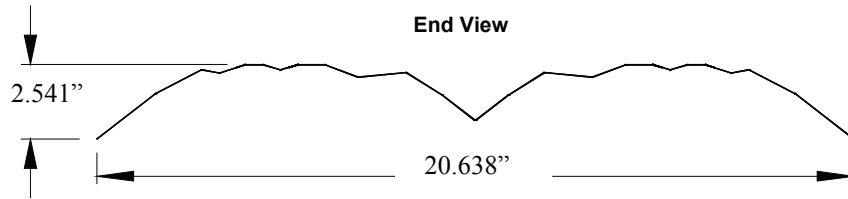
<p>Dimension: .020 nominal thickness, multi-faceted reflector surface. 24GA brackets.</p> <p>Finish: Enhanced aluminum (Miro4), Painted white aluminum, or Premium aluminum available. Baked white enamel brackets.</p> <p>Construction: CNC formed. Engineered using state of the art CAD/CAM systems.</p>			<p>Mounting: Reflector systems are mounted using "Quick-Tab" mounting for easy ballast access. Ballast mounts on existing fixture can.</p> <p>Kit Includes: Reflector and socket brackets.</p> <p>Labels: UL/CUL listed.</p>		
SPEC.	NOM.	DESCRIPTION	SPEC.	NOM.	DESCRIPTION
Reflector	EN WH PR	Enhanced Aluminum 95% reflective White Aluminum 90%+ reflective Premium Aluminum 86% reflective	Fixture Type	T	Retrofit for Troffer Fixture
Dimension	22 24	Nominal 21" wide x 24" long Nominal 21" wide x 48" long	Kit Type	SHDC	2 Lamp Shallow for Deep Cell Louvered Fixtures
Lamping	2	T8 = 17 or 32W per lamp Lamps are not included unless otherwise noted (2) lamps in cross section	<p>Additional parts: Lampholders are not included in kit. Please order separately if required.</p>		
			Lampholders	LH-BP-ST-SNP-T8	Short, snap-in, T8 lampholders 4 sockets per reflector are required.

ORDERING NOMENCLATURE GUIDE

Standard Kit: K-EN242TSHDC
Catalog # for a SHDC Kit - Enhanced Reflector - Nominal 2 ft x 4 ft Long - 2 Lamps in cross section. Kit includes 2, 2lamp brackets. Select quantity of lampholders if desired.

8E Kit	Reflector	Dimension	Lamping	Fixture Type	Type of Kit	Qty of Lampholders
K -						

K-EN222TSHDC or K-EN242TSHDC
TROFFER SHALLOW FOR DEEP CELL LOUVER RETROFIT SYSTEM



SPECIFICATION CHARACTERISTICS

- Includes Baked White Enamel 24GA Steel Socket Brackets
- "Quick-Tab" Mounting for Easy Ballast Access
- Multiple Finish Options: Enhanced Aluminum (Miro4), Painted White Aluminum, or Premium Aluminum
- Short Lead Times