

E-VHL SERIES
T5 VANDAL HIGH BAY LOW PROFILE SURFACE MOUNT LUMINAIRE



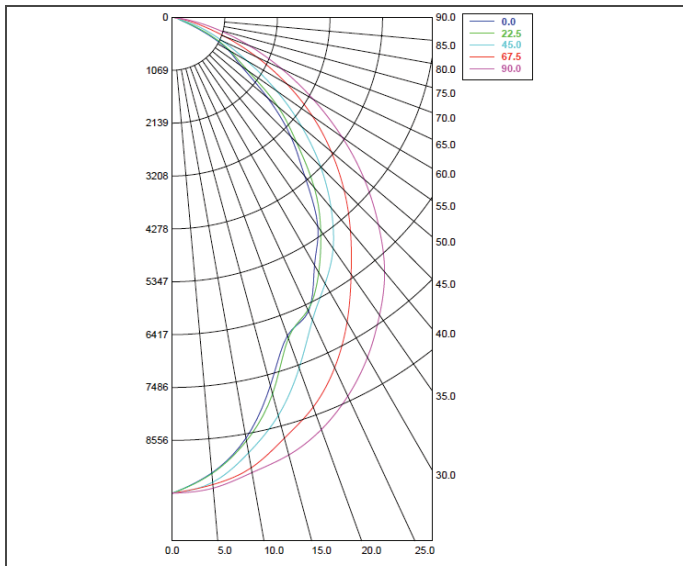
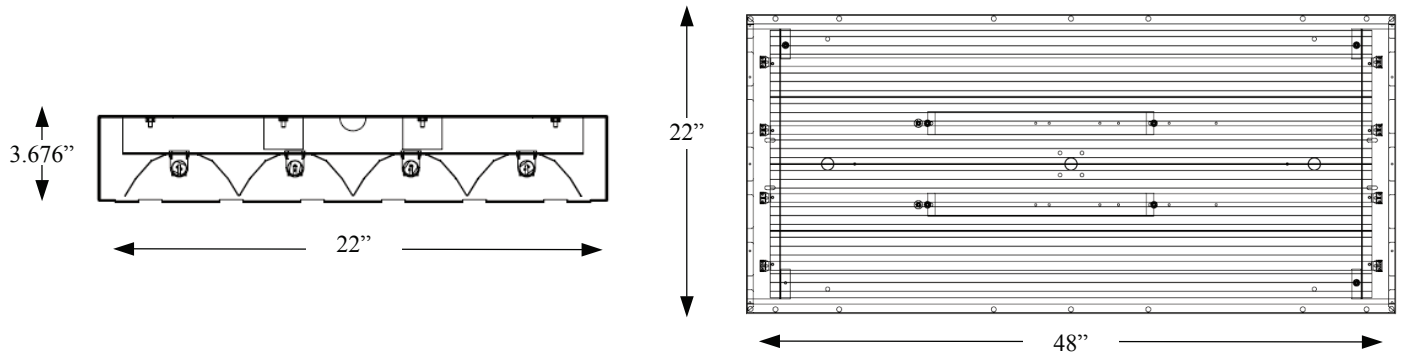
<p>Housing: 16GA steel. Finish: Post powdercoat gloss white. Construction: CNC formed and mechanically joined. Lens: Clear acrylic with 50% DR, polycarbonate or tempered glass lens. Steel welded, hinged door with retained thumbscrew closure. Vandal option available w/ torx tamperproof hardware.</p>			<p>Mounting: Suspended or surface mounted. Distribution: Narrow to medium. Replacement for HID high bay. Electrical: Electronic Low, Standard or High output options; Instant Start is factory standard for T8, Program Start for T5; <10% THD; Inherent thermal protection; Dimming & Emergency available. Labels: UL/CUL listed. Damp Location.</p>		
SPEC.	NOM.	DESCRIPTION	SPEC.	NOM.	DESCRIPTION
Finish	P	Powdercoat gloss white Please specify other color on PO if required.	Lens	AC AE G PC	Clear acrylic lens .090" thick with 50% DR Clear acrylic lens .121" thick with 50% DR Tempered Glass Lens 1/4" thick Clear Polycarbonate Lens
Dimension	24	Nominal 22" wide x 48" long	Voltage	U H 1 2 3 4 1B 2B	Universal volt 120-277 (factory standard) 347-480 volt 120 volt (specify with LED or dimming) 277 volt (specify with LED or dimming) 347 volt (specify with LED or dimming) 480 volt (specify with LED or dimming) Emergency Battery Back-up 120v Emergency Battery Back-up 277v (T5 std = 500 lumens or T5HO = 825 lumens)
Lamping	2 3 4 5 6 L	T8 = 32W per lamp T5 = 54W or 28W per lamp Lamps are not included unless otherwise noted (2) lamps in cross section (3) lamps in cross section (4) lamps in cross section (5) lamps in cross section (6) lamps in cross section LED – contact factory & specify voltage	Reflector	E W	Enhanced Aluminum 95% reflective White Aluminum 90%+ reflective
Ballast	S L H D P SP HP N	T8 Standard Electronic T8 Low Output Electronic T8 High Output Electronic T8 Electronic Dimming T8 – specify type & voltage Program Start Electronic T8 Standard Output/Program Start Combination T8 High Output/Program Start Combination T8 No Ballast - Slave	Mounting	---	Surface Mounted (standard) - no designation needed
	S5 H5 DS DH LED LDD	T5 Standard Electronic T5 28W High Output Electronic T5 54W Dimming Standard Electronic T5 28W – specify type & voltage Dimming High Output Electronic T5 54W – specify type & voltage LED LED Transformer – contact factory LED Dimming Transformer – contact factory	Options	O A R M T	360° degree occupancy sensor Aisle occupancy sensor Relay Multi-circuit wiring Vandal proof doorframe with torx tamperproof screws

ORDERING NOMENCLATURE GUIDE

Standard Fixture: E-VHLP244H5GUE
 Catalog # for a VHL Type Fixture – Powdercoat Gloss White - Nominal 2 ft x 4 ft Long - 4 Lamps in cross section - High Output T5 Electronic Ballast –Tempered Glass Lens 1/4" thick - Universal Voltage - Enhanced Reflector - No Options.

8E Product	Series	Finish	Dimension	Lamping	Ballast	Lens	Voltage	Reflector	Mounting	Options
E -	VHL									

E-VHL SERIES
T5 VANDAL HIGH BAY LOW PROFILE SURFACE MOUNT LUMINAIRE



PRODUCT NUMBER = E-VHLP244H5GUE

FIXTURE EFFICIENCY = 89.5%

S.M.H. = 0.94

WATTAGE = 236W (BASED ON 277V)

RCR TABLE AVAILABLE

IES PHOTOMETRIC FILE AVAILABLE

SPECIFICATION CHARACTERISTICS

- **Narrow to Medium Distribution Utilizing Energy Efficient Components Throughout**
- **Highly Efficient Luminaire – Over 89%**
- **Replaces 250 Watt - 400 Watt HID High Bay**
- **Instant On, Long Life, Lower Energy Consumption, No Color Shift**
- **Uniform Illumination**
- **LED is Available – Contact Factory with Requirements**
- **Surface Mount with Quick-Wire Access Plate**
- **Built Standard with 16 Gauge Steel for Vandal Resistance**
- **Integrally Hinged, Post Powder Coated Door Frame with Retained Thumb Screw Closure is Standard**
- **Vandal Resistant Doorframe Option with Tamperproof Hardware**
- **Dimming, Emergency, Occupancy Sensor or Light Level Sensor Options**
- **Multiple Lens Options: Clear Acrylic Lens with 50% DR, Polycarbonate or 1/4" Tempered Glass**
- **Finish: Gloss White Post Powdercoated. Other colors and finishes available. Please contact factory**
- **Short Lead Times**